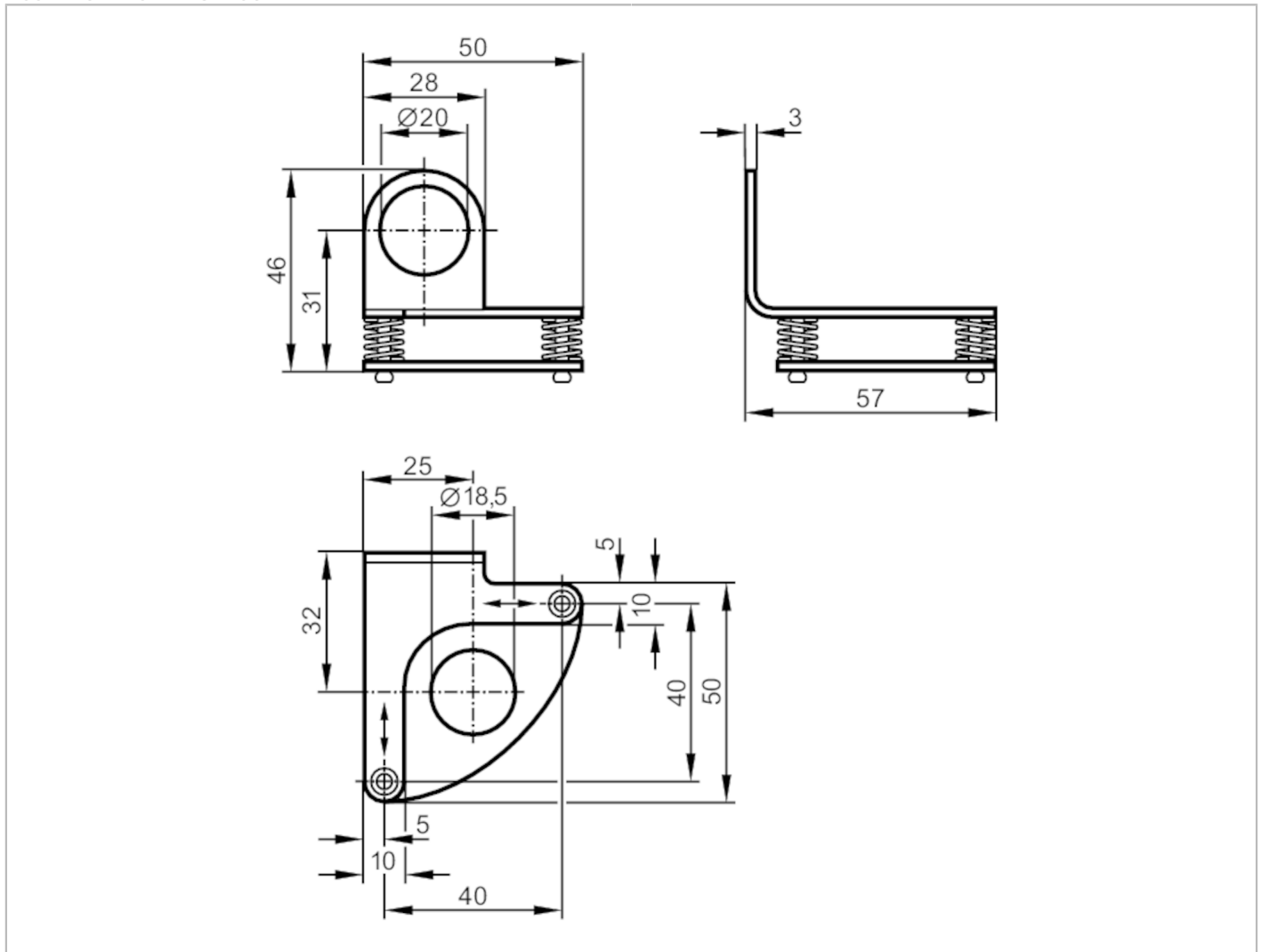


# E20737



## Fixture for mounting and fine adjustment of laser sensors

MOUNTING FIXTURE LASER OG



Application	
Design	clamp mounting
Mechanical data	
Weight [g]	78.4
Type of mounting	rod or free-standing depending on the clamp
Dimensions [mm]	$\varnothing 18.5$
Materials	stainless steel (1.4571/316Ti)
Alignment range	fine adjustment in 2 axes $\pm 3^\circ$
Accessories	
Accessories (optional)	Clamp:, for rod mounting, E20717 Clamp:, for free-standing mounting, E20716
Remarks	
Pack quantity	1 pcs.