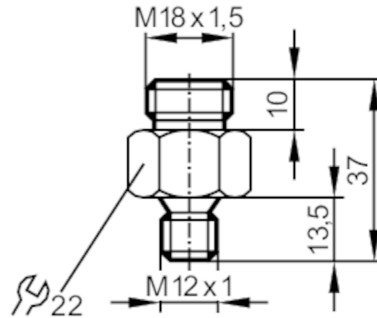


E40128



Mounting adapter for process sensors

ADAPT /SI/9/ /M12X1 /TI



Application

Application	for industrial applications
Media	liquids and gases
Pressure rating [bar]	30

Tests / approvals

Pressure Equipment Directive	Sound Engineering Practice; can be used for group 2 fluids; group 1 fluids on request
------------------------------	---

Mechanical data

Weight [g]	41.6
Dimensions [mm]	M18 x 1.5
Thread designation	M18 x 1.5
Materials	titanium (3.7235)
Sensor connection	M18 x 1,5
Process connection	M12 x 1
Insertion depth [mm]	13.5; (measuring probe SID, SFD, TN)

Accessories

Accessories (supplied)	sealings: 1, PTFE
------------------------	-------------------

Remarks

Remarks	In applications >30 bar and ≤300 bar only use with a U-Seal sealing ring.
Pack quantity	1 pcs.