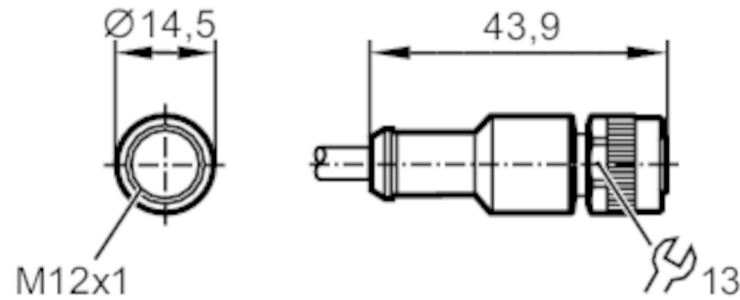


# E12504



## Connecting cable with socket

ADOGH120ZDS0015H12



### Application

Free from silicone yes

### Electrical data

Operating voltage [V] < 30 AC/DC

Protection class II

Max. current load total [A] 1.5

### Operating conditions

Ambient temperature [°C] -25...90

Protection IP 67

### Mechanical data

Weight [g] 905.2

Materials PUR

Material nut diecast zinc

### Remarks

Pack quantity 1 pcs.

### Electrical connection

Cable: 15 m, PUR, Halogen-free, black, Ø 6.6 mm; 12 x 0.25 mm<sup>2</sup>

### Electrical connection - socket

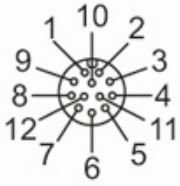
Connector: 1 x M12, straight; Moulded body: PUR; Locking: diecast zinc; Contacts: gold-plated; Tightening torque: 0.7...0.9 Nm

# E12504



## Connecting cable with socket

ADOGH120ZDS0015H12



### Connection

1	BN
2	BU
3	WH
4	GN
5	PK
6	YE
7	BK
8	GY
9	RD
10	VT
11	GY/PK
12	RD/BU

#### Core colours :

BK =	black
BN =	brown
BU =	blue
GN =	green
GY =	grey
GY/PK =	grey/pink
PK =	pink
RD =	red
VT =	lilac
WH =	white
YE =	yellow
RD/BU =	red/blue