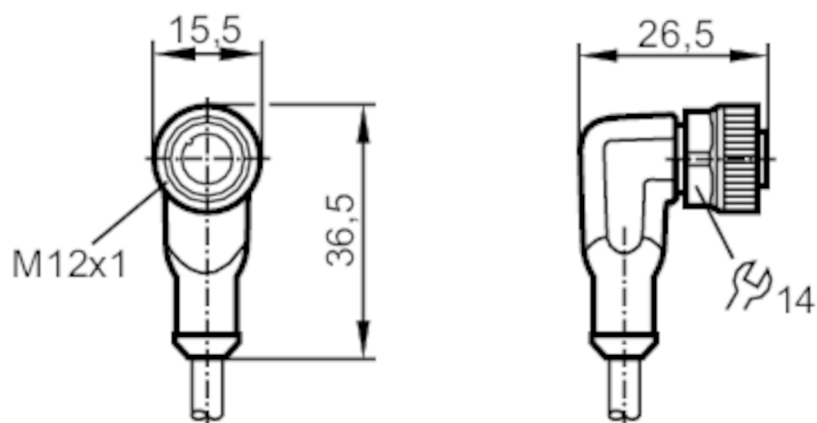


# EVW166



## Connecting cable with socket

ADOAH040SCS0030T04



### Application

Application	welding applications
Free from silicone	yes

### Electrical data

Operating voltage [V]	< 250 AC / < 300 DC
Protection class	II
Max. current load total [A]	4

### Operating conditions

Ambient temperature [°C]	-25...90
Note on ambient temperature	cULus: ...75
Ambient temperature (moving) [°C]	-25...90
Note on ambient temperature (moving)	cULus: ...75
Protection	IP 65; IP 67; IP 68; IP 69K

# EVW166



## Connecting cable with socket

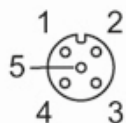
ADOAH040SCS0030T04

Mechanical data		
Weight [g]	1048.4	
Dimensions [mm]	26.5 x 15.5 x 36.5	
Materials	housing: TPU orange; Sealing: FKM	
Material nut	brass	
Drag chain suitability	bending radius for flexible use	min. 10 x cable diameter
	travel speed	max. 3.3 m/s for a horizontal travel length of 5 m and max. acceleration of 5 m/s <sup>2</sup>
	bending cycles	> 2 Mio.
	torsional strain	± 180 °/m
Drag chain suitability	yes	

Remarks	
Pack quantity	1 pcs.

Electrical connection	
Cable: 30 m, PUR, Halogen-free, grey, Ø 4.9 mm; not irradiated (can be recycled); 4 x 0.34 mm <sup>2</sup> (42 x Ø 0.1 mm )	
Cable: 30 m, PUR, Halogen-free, grey, Ø 4.9 mm; resistant to welding sparks; 4 x 0.34 mm <sup>2</sup> (42 x Ø 0.1 mm )	

Electrical connection - socket	
Connector: 1 x M12, angled; Locking: brass, anti-spatter; Contacts: gold-plated; Tightening torque: 0.6...1.5 Nm	



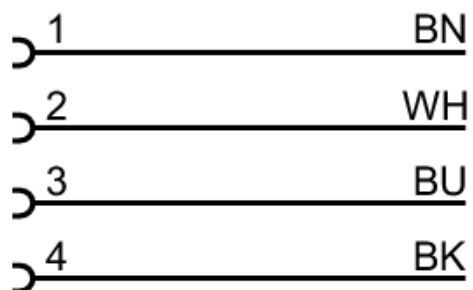
# EVW166



## Connecting cable with socket

ADOAH040SCS0030T04

### Connection



Core colours :

BK =	black
BN =	brown
BU =	blue
WH =	white