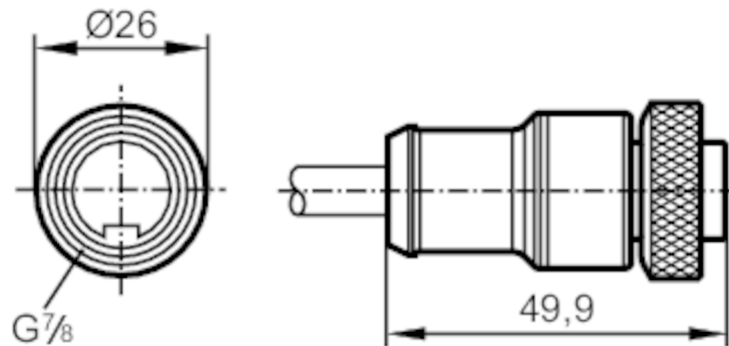


# E11076



## Connecting cable with socket

AD0GB050PLS0002E05



### Electrical data

Operating voltage [V] < 250 AC

### Operating conditions

Ambient temperature [°C] -40...80

Protection IP 68

### Mechanical data

Weight [g] 142.2

Dimensions [mm] 26 x 26 x 49.9

Materials TPU

Material nut TPU

### Remarks

Pack quantity 1 pcs.

### Electrical connection

Cable: 2 m, PVC, black; 5 x 0.5 mm<sup>2</sup> (16 x Ø 0.2 mm )

### Electrical connection - socket

Connector: 1 x 7/8" , straight; Moulded body: TPU; Locking: TPU



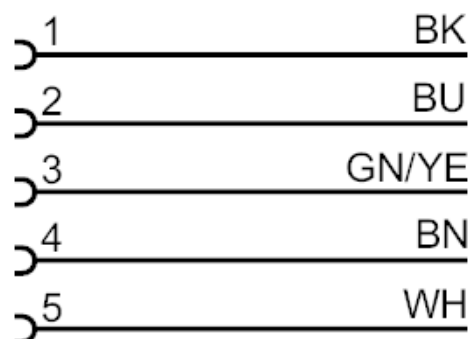
# E11076



## Connecting cable with socket

AD0GB050PLS0002E05

### Connection



Core colours :

BK =	black
BN =	brown
BU =	blue
GN/YE =	green/yellow
WH =	white