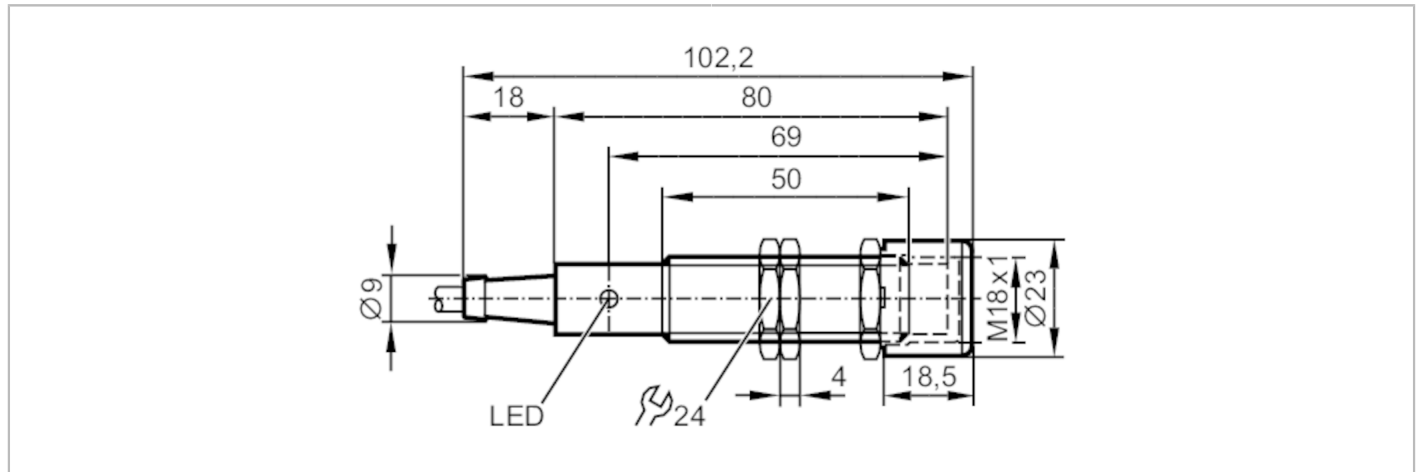


# IG513A



## Inductive sensor

IGA3008-BPKG/3D



| Application                                     |           |                                                                             |
|-------------------------------------------------|-----------|-----------------------------------------------------------------------------|
| Installation                                    |           | use in hazardous areas only with installed protective cover                 |
| Electrical data                                 |           |                                                                             |
| Operating voltage                               | [V]       | 10...30 DC                                                                  |
| Current consumption                             | [mA]      | < 15                                                                        |
| Protection class                                |           | III                                                                         |
| Reverse polarity protection                     |           | yes                                                                         |
| Outputs                                         |           |                                                                             |
| Electrical design                               |           | PNP                                                                         |
| Output function                                 |           | normally open                                                               |
| Max. voltage drop switching output DC           | [V]       | 2.5                                                                         |
| Permanent current rating of switching output DC | [mA]      | 150                                                                         |
| Switching frequency DC                          | [Hz]      | 300                                                                         |
| Short-circuit protection                        |           | yes                                                                         |
| Type of short-circuit protection                |           | pulsed                                                                      |
| Overload protection                             |           | yes                                                                         |
| Detection zone                                  |           |                                                                             |
| Sensing range                                   | [mm]      | 8                                                                           |
| Real sensing range Sr                           | [mm]      | 8 ± 10 %                                                                    |
| Operating distance                              | [mm]      | 0...6.48                                                                    |
| Accuracy / deviations                           |           |                                                                             |
| Correction factor                               |           | steel: 1 / stainless steel: 0.7 / brass: 0.4 / aluminium: 0.3 / copper: 0.2 |
| Hysteresis                                      | [% of Sr] | 1...20                                                                      |
| Switch point drift                              | [% of Sr] | -10...10                                                                    |
| Operating conditions                            |           |                                                                             |
| Ambient temperature                             | [°C]      | -20...60                                                                    |
| Protection                                      |           | IP 67                                                                       |

# IG513A



## Inductive sensor

IGA3008-BPKG/3D

| Tests / approvals             |                                                                                                          |                                |
|-------------------------------|----------------------------------------------------------------------------------------------------------|--------------------------------|
| ATEX marking                  | II 3D Ex tc IIIC T80°C Dc X                                                                              |                                |
| EMC                           | EN 61000-4-2 ESD                                                                                         | 4 kV CD / 8 kV AD              |
|                               | EN 61000-4-3 HF radiated                                                                                 | 3 V/m                          |
|                               | EN 61000-4-4 Burst                                                                                       | 2 kV                           |
|                               | EN 61000-4-6 HF conducted                                                                                | 3 V                            |
|                               | IEC 60255-5                                                                                              | 1 kV line to line, Ri: 500 Ohm |
|                               | EN 55011 emission                                                                                        | class B                        |
| MTTF [years]                  | 1853                                                                                                     |                                |
| Mechanical data               |                                                                                                          |                                |
| Weight [g]                    | 189                                                                                                      |                                |
| Housing                       | threaded type                                                                                            |                                |
| Mounting                      | non-flush mountable                                                                                      |                                |
| Dimensions [mm]               | M18 x 1 / L = 80                                                                                         |                                |
| Thread designation            | M18 x 1                                                                                                  |                                |
| Materials                     | brass white bronze coated; sensing face: PBT; lock nuts: brass white bronze coated; Protective cover: PA |                                |
| Displays / operating elements |                                                                                                          |                                |
| Display                       | switching status                                                                                         | 1 x LED, yellow                |
| Accessories                   |                                                                                                          |                                |
| Accessories (supplied)        | lock nuts: 3<br>Protective cover: 1                                                                      |                                |
| Remarks                       |                                                                                                          |                                |
| Pack quantity                 | 1 pcs.                                                                                                   |                                |

# IG513A



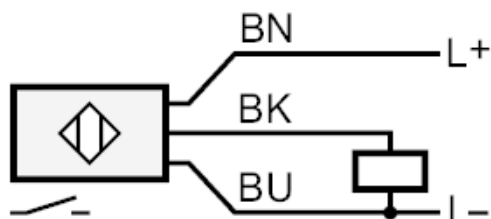
## Inductive sensor

IGA3008-BPKG/3D

### Electrical connection

Cable: 2 m, PUR; 3 x 0.50 mm<sup>2</sup>

### Connection



Core colours :

BK =

black

BN =

brown

BU =

blue