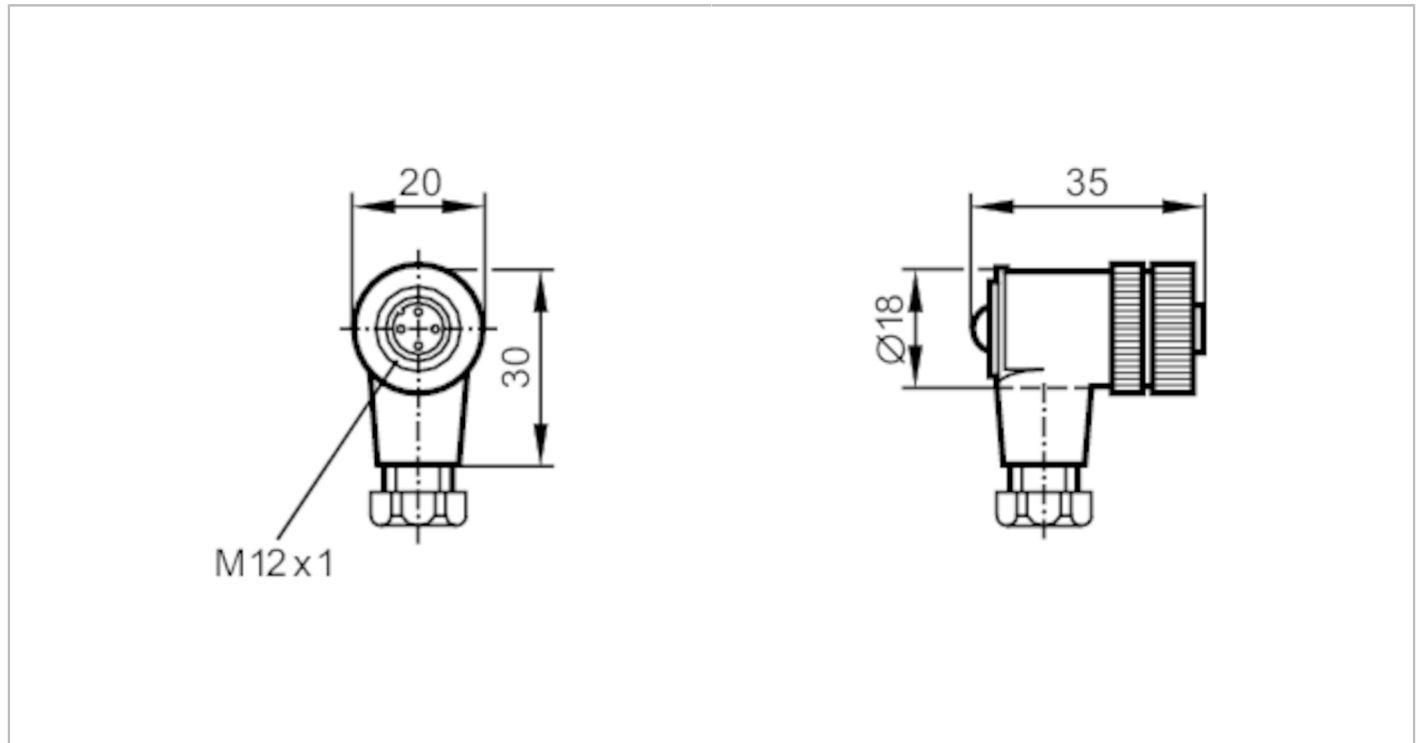


E11764



Wirable socket

SDOAH030MSSFKPG

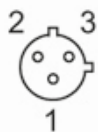


Application	
Free from silicone	yes
Electrical data	
Operating voltage [V]	< 250 AC
Max. current load total [A]	4; (...40 °C)
Operating conditions	
Ambient temperature [°C]	-25...85
Protection	IP 67
Mechanical data	
Weight [g]	24.8
Dimensions [mm]	35 x 20 x 30
Materials	PA
Material nut	brass
Remarks	
Pack quantity	1 pcs.
Electrical connection	
screw terminals: ...0.75 mm ² ; Cable sheath: Ø 4...6 mm	
Electrical connection - socket	
Connector: 1 x M12, angled; Moulded body: PA; Locking: brass, nickel-plated; Contacts: gold-plated	

E11764

Wirable socket

SDOAH030MSSFKPG



Connection

