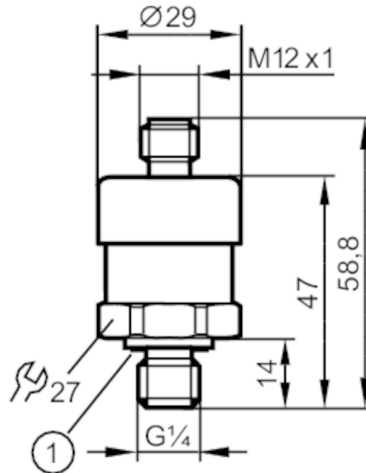


PT0517



Pressure transmitter

PT-1,6-AFG14-A-ZVG/US



1 Sealing



Application	
Application	for industrial applications
Media	liquids and gases
Medium temperature [°C]	0...80
Pressure rating [bar]	3.2
Min. bursting pressure [bar]	10
Type of pressure	absolute pressure
Electrical data	
Operating voltage [V]	8...30 DC
Min. insulation resistance [MΩ]	100; (500 V DC)
Protection class	III
Reverse polarity protection	yes
Outputs	
Total number of outputs	1
Output signal	analogue signal
Number of analogue outputs	1
Analogue current output [mA]	4...20
Max. load [Ω]	800; (U _b = 24 V; (U _b - 8 V) / 20 mA)
Short-circuit proof	yes
Measuring/setting range	
Measuring range [bar]	0...1.6
Accuracy / deviations	
Repeatability [% of the span]	< ± 0,1; (with temperature fluctuations < 10 K)
Characteristics deviation [% of the span]	< ± 1,0; (incl. zero point and span error, non-linearity, hysteresis)
Linearity deviation	< ± 0,5 (BFSL) / < ± 1,0 (LS)

PT0517



Pressure transmitter

PT-1,6-AFG14-A-ZVG/US

	[% of the span]	
Long-term stability	[% of the span]	< ± 0,1; (per year)
Temperature coefficient zero point	[% of the span / 10 K]	< ± 0,2; (0...80 °C)
Temperature coefficient span	[% of the span / 10 K]	< ± 0,2; (0...80 °C)

Response times

Step response time analogue output	[ms]	4
------------------------------------	------	---

Operating conditions

Ambient temperature	[°C]	0...80
Storage temperature	[°C]	-20...80
Protection		IP 67

Tests / approvals

EMC		DIN EN 61326-1	
Shock resistance		DIN EN 60068-2-27	500 g (1 ms)
Vibration resistance		DIN EN 60068-2-6	10 g (10...2000 Hz)
MTTF	[years]		815
Pressure Equipment Directive		Sound Engineering Practice; can be used for group 2 fluids; group 1 fluids on request	

Mechanical data

Weight	[g]	120
Materials		stainless steel (1.4404 / 316L); HNBR; PA
Materials (wetted parts)		stainless steel (1.4404 / 316L)
Min. pressure cycles		10 million
Tightening torque	[Nm]	25...35; (recommended tightening torque; depends on lubrication, seal and pressure rating)
Process connection		threaded connection G 1/4 external thread (DIN EN ISO 1179-2)
Process connection sealing		NBR (to DIN 3869)
Fill fluid for pressure transfer		synthetic oil
Restrictor element integrated		no

Remarks

Remarks		BFSL = Best Fit Straight Line LS = limit value setting
Pack quantity		1 pcs.

Electrical connection

Connector: 1 x M12



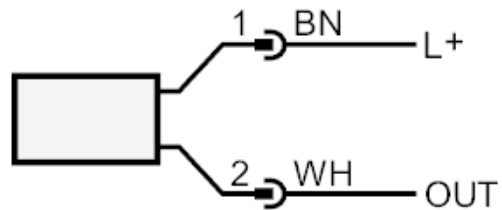
PT0517



Pressure transmitter

PT-1,6-AFG14-A-ZVG/US

Connection



OUT analogue output
 colours to DIN EN 60947-5-2
 Core colours :

BN = brown
WH = white