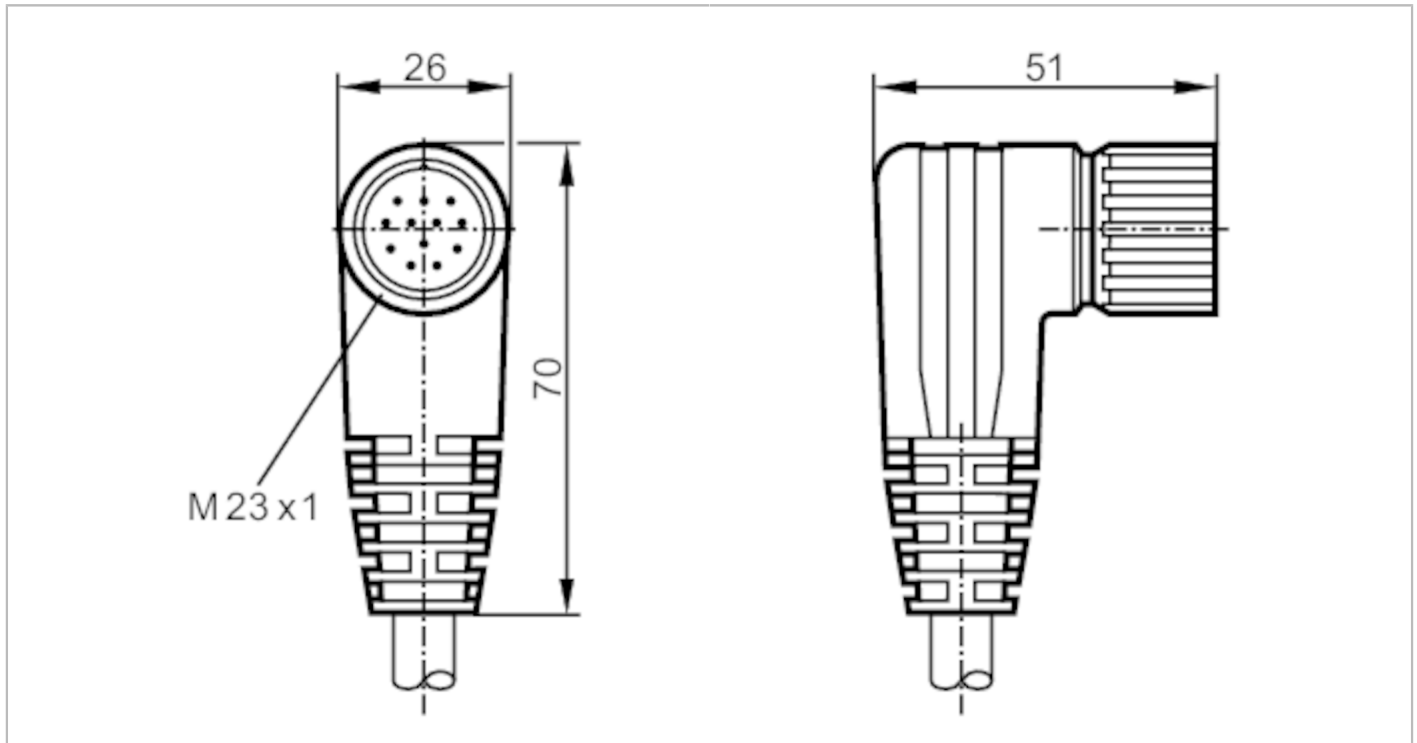


E11740



Connecting cable with socket

ADOAK120MSS0010H12



Electrical data

Operating voltage	[M]	< 63 AC/DC
-------------------	-----	------------

Operating conditions

Ambient temperature	[°C]	-25...80
Protection		IP 67

Mechanical data

Weight	[g]	1357.4
Dimensions	[mm]	51 x 26 x 70
Materials		PUR black
Material nut		brass
Tightening torque	[Nm]	2

Remarks

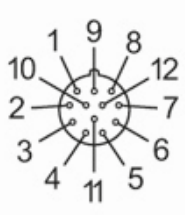
Pack quantity		1 pcs.
---------------	--	--------

Electrical connection

Cable: 10 m, PUR, Halogen-free, black, Ø 9.3 mm; 8 x 0.5 mm² (63 x Ø 0.1 mm) + 3 x 1.0 mm² (127 x Ø 0.1 mm)

Electrical connection - socket

Connector: 1 x M23, angled; Moulded body: PUR; Locking: brass, nickel-plated



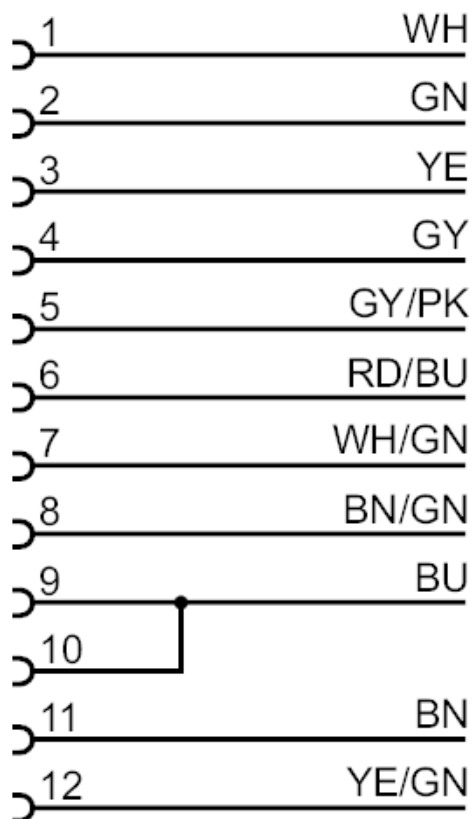
E11740



Connecting cable with socket

ADOAK120MSS0010H12

Connection



Core colours :

BN =	brown
BU =	blue
GN =	green
GY =	grey
PK =	pink
RD =	red
WH =	white
YE =	yellow