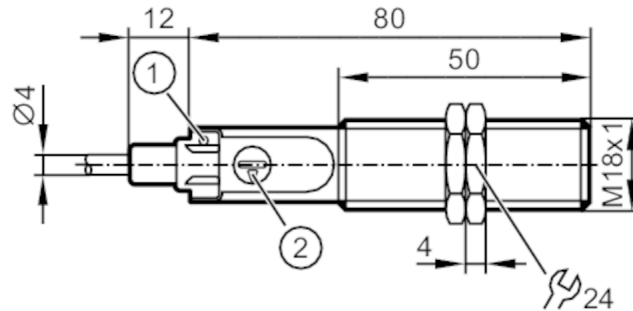


KG5301



Capacitive sensor

KG-3150NAPKG/SL/1P/IO



- 1 LED yellow switching status
2 potentiometer Sensing range



Application

Medium temperature [°C] -25...110

Electrical data

Operating voltage [V] 10...30 DC
Current consumption [mA] < 22
Protection class III
Reverse polarity protection yes

Outputs

Electrical design PNP
Output function normally closed
Max. voltage drop switching output DC [V] 2.5
Permanent current rating of switching output DC [mA] 200
Switching frequency DC [Hz] 30
Short-circuit proof yes
Overload protection yes

Detection zone

Sensing range [mm] 0.5...30
Sensing range adjustable yes
Factory setting sensing range [mm] 15
Real sensing range S_r [mm] $15 \pm 10 \%$

Accuracy / deviations

Hysteresis [% of S_r] 1...15
Switch point drift [% of S_r] -15...15

KG5301



Capacitive sensor

KG-3150NAPKG/SL/1P/IO

Interfaces		
Communication interface	IO-Link	
Transmission type	COM2 (38,4 kBaud)	
IO-Link revision	1.1	
SDCI standard	IEC 61131-9	
Profiles	Smart Sensor: Process Data Variable; Device Identification	
SIO mode	yes	
Required master port type	A	
Min. process cycle time [ms]	20	
Operating conditions		
Ambient temperature [°C]	-25...80	
Protection	IP 65; IP 67; IP 69K	
Tests / approvals		
EMC	EN 61000-4-2	30 kV AD / 4 kV CD
	EN 61000-4-3	10 V/m
	EN 61000-4-4	2 kV
	EN 61000-4-6	10 V
	EN 55011	class B
Vibration resistance	DIN EN 60947-5-2	1 mm amplitude, oscillation period 5 min., 30 min. per axis at resonance or 55 Hz
Shock resistance	DIN EN 60947-5-2	30 g 6 shocks / 11 ms half-sine (x, y, z)
MTTF [years]	1269	
Mechanical data		
Weight [g]	70.6	
Housing	threaded type	
Mounting	non-flush mountable	
Dimensions [mm]	M18 x 1 / L = 92.5	
Thread designation	M18 x 1	
Materials	PBT; PC; POM	
Tightening torque [Nm]	8	
Displays / operating elements		
Display	switching status	1 x LED, yellow
Accessories		
Accessories (supplied)	lock nuts: 2	
Remarks		
Pack quantity	1 pcs.	

KG5301



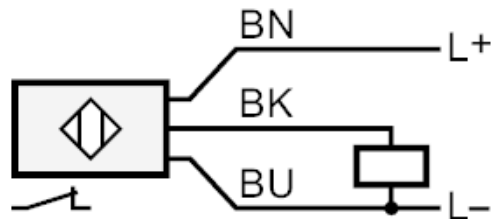
Capacitive sensor

KG-3150NAPKG/SL/1P/IO

Electrical connection

Cable: 2 m, PUR, Ø 4 mm; 3 x 0.34 mm²

Connection



BK: OUT / IO-Link

Core colours :

BK = black

BN = brown

BU = blue