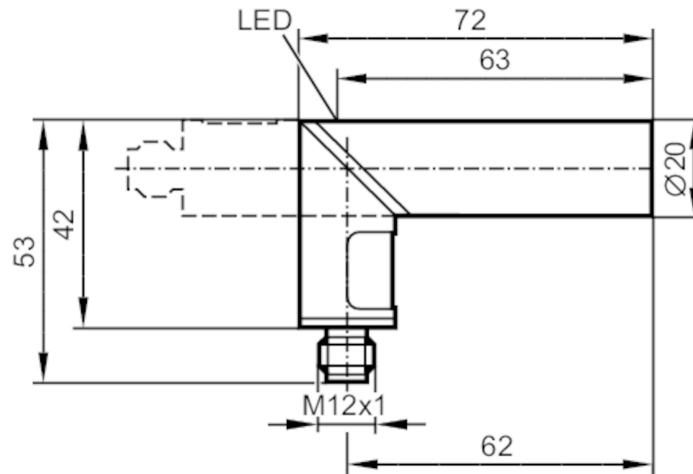


# IA5130



## Inductive sensor

IAE3010-BPKG/US-100/ANGLED



### Electrical data

Operating voltage	[V]	10...36 DC
Current consumption	[mA]	15; (24 V)
Protection class		III
Reverse polarity protection		yes

### Outputs

Electrical design		PNP
Output function		normally open
Max. voltage drop switching output DC	[V]	2.5
Permanent current rating of switching output DC	[mA]	250
Switching frequency DC	[Hz]	300
Short-circuit protection		yes
Type of short-circuit protection		pulsed
Overload protection		yes

### Detection zone

Sensing range	[mm]	10
Real sensing range $S_r$	[mm]	$10 \pm 10\%$
Operating distance	[mm]	0...8.1

### Accuracy / deviations

Correction factor		steel: 1 / stainless steel: 0.7 / brass: 0.4 / aluminium: 0.3 / copper: 0.2
Hysteresis	[% of $S_r$ ]	1...15
Switch point drift	[% of $S_r$ ]	-10...10

### Operating conditions

Ambient temperature	[°C]	-25...80
Protection		IP 65

# IA5130



## Inductive sensor

IAE3010-BPKG/US-100/ANGLED

Tests / approvals		
EMC	EN 60947-5-2 EN 55011	class B
MTTF [years]	1147	
Mechanical data		
Weight [g]	87.4	
Housing	cylindrical	
Mounting	non-flush mountable	
Dimensions [mm]	Ø 20 / L = 72	
Materials	PBT; LED window: PC	
Displays / operating elements		
Display	switching status	1 x LED, yellow
Accessories		
Accessories (supplied)	Mounting clamps: 1	
Remarks		
Pack quantity	1 pcs.	

### Electrical connection - plug

Connector: 1 x M12



### Connection

