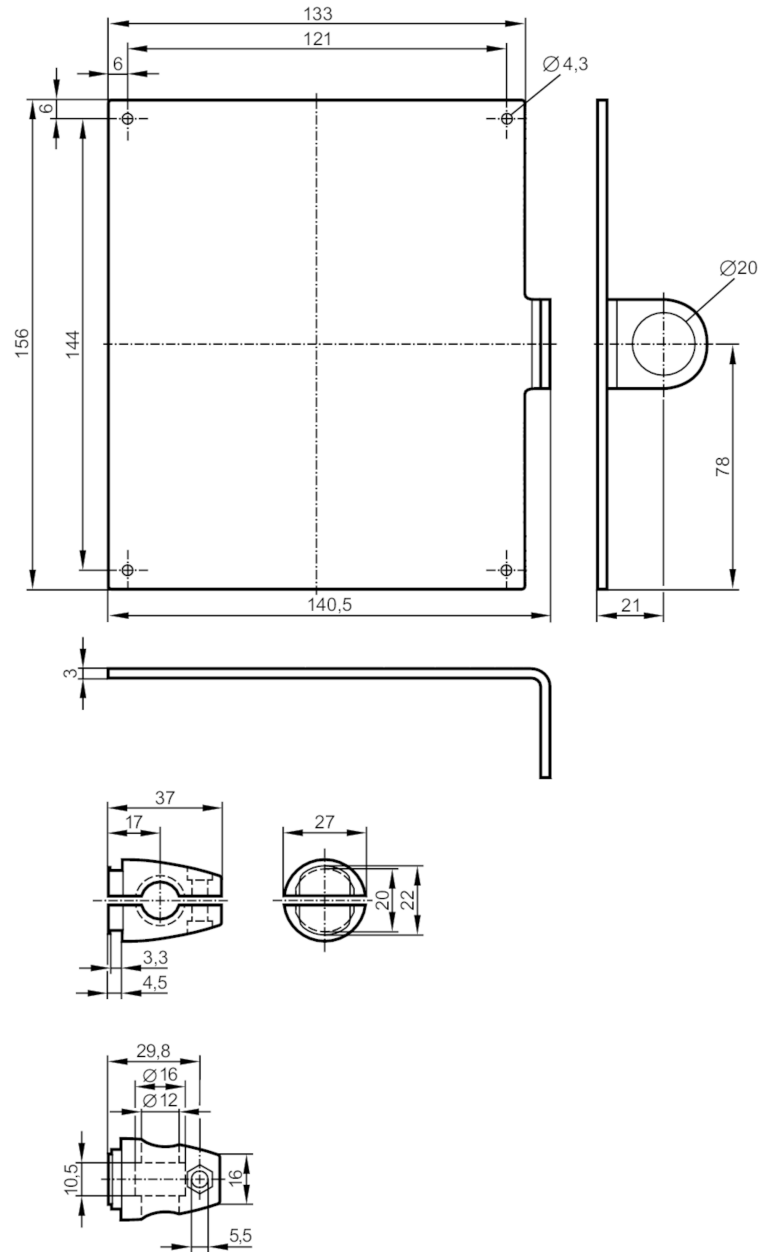


# E2D109



## Mounting set for illumination unit

MOUNTING SET BACKLIGHT 100X100



### Application

Design

clamp mounting

### Mechanical data

Weight

[g]

622.4

Materials

Mounting plate: stainless steel (1.4305 / 303); Clamp: stainless steel

### Remarks

Pack quantity

1 pcs.