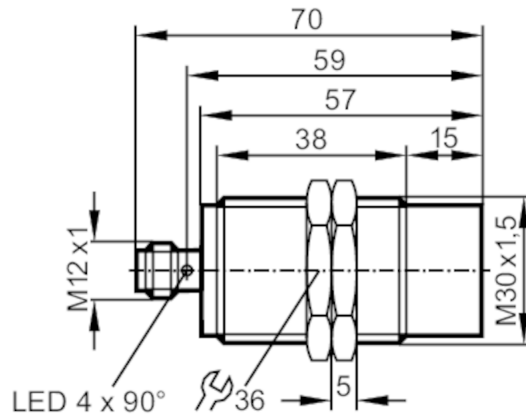


II5861



Inductive sensor

IIK2022-FRKG/M/2LED/US-104-IRF



Electrical data	
Operating voltage [V]	10...36 DC
Protection class	II
Reverse polarity protection	yes
Outputs	
Electrical design	PNP/NPN
Output function	normally open / normally closed; (selectable)
Max. voltage drop switching output DC [V]	4.6
Minimum load current [mA]	4
Max. leakage current [mA]	1
Permanent current rating of switching output DC [mA]	100
Switching frequency DC [Hz]	200
Short-circuit protection	yes
Type of short-circuit protection	pulsed
Overload protection	yes
Detection zone	
Sensing range [mm]	22
Operating distance [mm]	0...17.6
Increased sensing range	yes
Accuracy / deviations	
Correction factor	steel: 1 / stainless steel: 0.72 / brass: 0.5 / aluminium: 0.48 / copper: 0.42
Hysteresis [% of Sr]	3...20
Operating conditions	
Ambient temperature [°C]	-25...70
Protection	IP 67

II5861



Inductive sensor

IIK2022-FRKG/M/2LED/US-104-IRF

Tests / approvals

EMC	EN 60947-5-2	
	EN 55011	class B
MTTF [years]		1143

Mechanical data

Weight [g]	125.6
Housing	threaded type
Mounting	non-flush mountable
Dimensions [mm]	M30 x 1.5 / L = 70
Thread designation	M30 x 1.5
Materials	brass white bronze coated; sensing face: CO-PC

Displays / operating elements

Display	switching status	4 x 90° LED, yellow
	setting aid	1 x LED, red
Optical setting aid		yes

Accessories

Accessories (supplied)	lock nuts: 2
------------------------	--------------

Remarks

Pack quantity	1 pcs.
---------------	--------

Electrical connection - plug

Connector: 1 x M12



normally open

