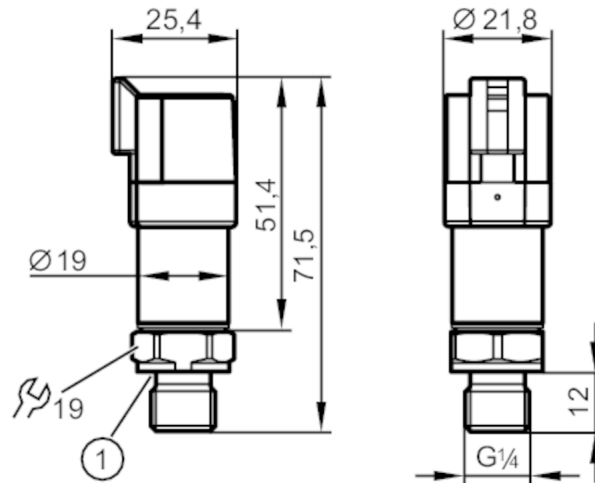


PT5703



Pressure transmitter

PT-025-SEG14-A-ZVG/DE



1 Sealing



Application	
Application	for mobile applications
Media	liquids and gases
Medium temperature [°C]	-40...125
Pressure rating [bar]	65
Note on pressure rating	static
Min. bursting pressure [bar]	600
Vacuum resistance [mbar]	-1000
Type of pressure	relative pressure
Electrical data	
Operating voltage [V]	8...32 DC
Min. insulation resistance [MΩ]	100; (500 V DC)
Protection class	III
Reverse polarity protection	yes
Inputs / outputs	
Number of inputs and outputs	Number of analogue outputs: 1
Outputs	
Total number of outputs	1
Output signal	analogue signal
Number of analogue outputs	1
Analogue current output [mA]	4...20
Max. load [Ω]	(U _b - 8 V) / 20 mA
Short-circuit proof	yes
Overload protection	yes
Measuring/setting range	
Measuring range [bar]	0...25

PT5703



Pressure transmitter

PT-025-SEG14-A-ZVG/DE

Accuracy / deviations		
Repeatability	[% of the span]	$< \pm 0,05$; (with temperature fluctuations < 10 K)
Characteristics deviation	[% of the span]	$< \pm 0,8$; (incl. drift when overtightened, zero point and span error, non-linearity, hysteresis)
Linearity deviation	[% of the span]	$< \pm 0,25$ (BFSL) / $< \pm 0,5$ (LS)
Hysteresis deviation	[% of the span]	$< \pm 0,2$
Long-term stability	[% of the span]	$< \pm 0,1$; (per 6 months)
Temperature coefficient zero point	[% of the span / 10 K]	$< \pm 0,1$ (0...80 °C); $< \pm 0,2$ (-40...0 °C / 80...125 °C)
Temperature coefficient span	[% of the span / 10 K]	$< \pm 0,1$ (0...80 °C); $< \pm 0,3$ (-40...0 °C); $< \pm 0,2$ (80...125 °C)
Response times		
Step response time analogue output	[ms]	2
Operating conditions		
Ambient temperature	[°C]	-40...100
Storage temperature	[°C]	-40...100
Protection		IP 67; IP 69K
Tests / approvals		
EMC	conforms to UN ECE 10 rev. 4	
	ISO 11452-2	100 V/m
	DIN EN 61326-1	
Shock resistance	DIN EN 60068-2-27	500 g (1 ms)
Vibration resistance	DIN EN 60068-2-6	20 g (10...2000 Hz)
MTTF	[years]	700
Pressure Equipment Directive		Sound Engineering Practice; can be used for group 2 fluids; group 1 fluids on request
Mechanical data		
Weight	[g]	60.8
Materials		1.4542 (17-4 PH / 630); stainless steel (1.4404 / 316L); PPS
Materials (wetted parts)		1.4542 (17-4 PH / 630)
Min. pressure cycles		60 million; (at 1.2 times nominal pressure)
Tightening torque	[Nm]	25...35; (recommended tightening torque; depends on lubrication, seal and pressure rating)
Process connection		threaded connection G 1/4 external thread (DIN EN ISO 1179-2)
Process connection sealing		HNBR (to DIN 3869)
Restrictor element integrated		yes
Remarks		
Remarks		BFSL = Best Fit Straight Line LS = limit value setting
Pack quantity		1 pcs.
Electrical connection		

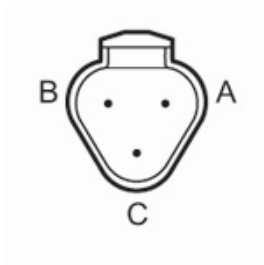
Connector: 1 x DEUTSCH connector (DT04-3P); Maximum cable length: 30 m

PT5703

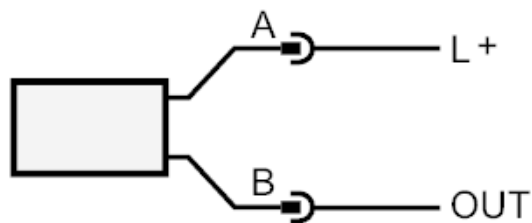


Pressure transmitter

PT-025-SEG14-A-ZVG/DE



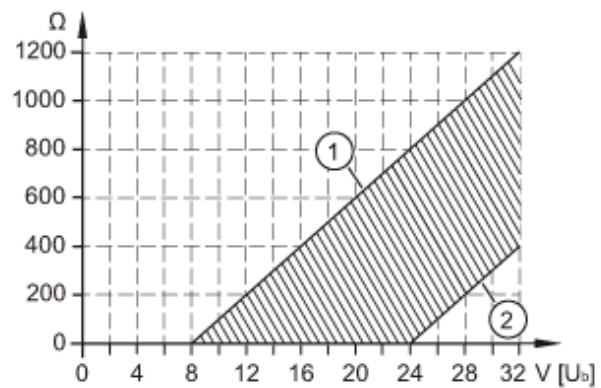
Connection



OUT analogue output

Diagrams and graphs

characteristic load curve of current output



- 1: Max. load
- 2: min. load