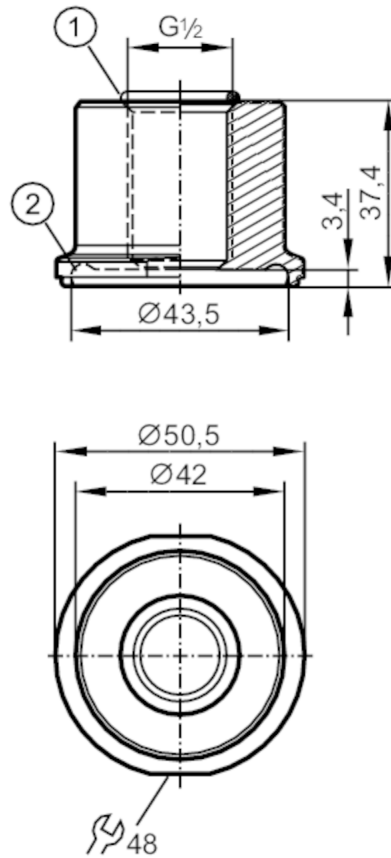


E33407



Mounting adapter for process sensors

ADAPT DIN11864-3-NKS-A/DN32 / G1/2



- 1 O-ring (included)
- 2 groove for O-ring to DIN 11864-3-R-34x5

EHEDG Certified

Application	
Design	for pipes DN 32 (DIN 11866, Reihe A)
Mechanical data	
Weight [g]	366
Materials	stainless steel (1.4435 / 316L)
Surface characteristics Ra/Rz of the wetted parts	0.4 / 4
Accessories	
Accessories (supplied)	O-ring:, FKM
Remarks	
Pack quantity	1 pcs.