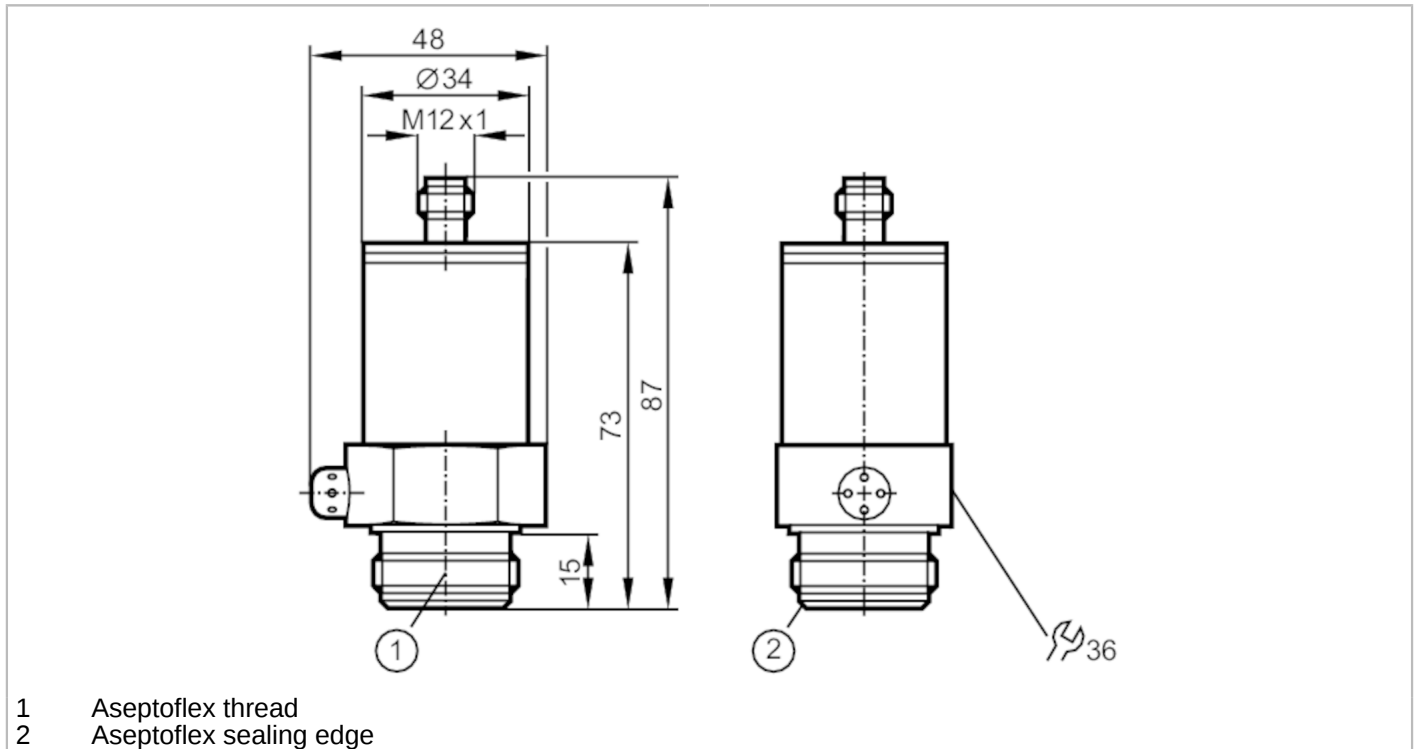


PL2058



Flush pressure transmitter

PL-,25BRES30-E-ZVG/US/ IP



- 1 Aseptoflex thread
- 2 Aseptoflex sealing edge



Application	
Application	hygienic systems
Media	viscous media and liquids with suspended particles; liquids and gases
Medium temperature [°C]	-25...80
Pressure rating [mbar]	6000
Min. bursting pressure [mbar]	30000
Type of pressure	relative pressure
No dead space	yes
Electrical data	
Operating voltage [V]	14...30 DC
Min. insulation resistance [MΩ]	100; (500 V DC)
Protection class	III
Reverse polarity protection	yes
Inputs / outputs	
Number of inputs and outputs	Number of analogue outputs: 1
Outputs	
Total number of outputs	1
Output signal	analogue signal
Number of analogue outputs	1
Analogue current output [mA]	4...20
Max. load [Ω]	550; (U _b = 24 V; (U _b - 13 V) / 20 mA)
Overload protection	yes

PL2058



Flush pressure transmitter

PL-,25BRES30-E-ZVG/US/ IP

Measuring/setting range		
Measuring range	[mbar]	-12.5...250
Analogue start point	[mbar]	-12.5...100
Analogue end point	[mbar]	50...250
In steps of	[mbar]	0.5
Factory setting		ASP = 0.0 mbar AEP = 250.0 mbar
Accuracy / deviations		
Repeatability	[% of the span]	$< \pm 0,1$; (with temperature fluctuations < 10 K; Turn down 1:1)
Characteristics deviation	[% of the span]	$< \pm 0,6$; (Turn down 1:1 linearity, incl. hysteresis and repeatability limit value setting to DIN 16086)
Linearity deviation	[% of the span]	$< \pm 0,5$; (Turn down 1:1)
Hysteresis deviation	[% of the span]	$< \pm 0,1$; (Turn down 1:1)
Long-term stability	[% of the span]	$< \pm 0,1$; (Turn down 1:1; per year)
Temperature coefficient zero point	[% of the span / 10 K]	$< \pm 0,1$; (0...80 °C)
Temperature coefficient span	[% of the span / 10 K]	$< \pm 0,4$; (0...80 °C)
Response times		
Max. response time analogue output	[ms]	3
Software / programming		
Parameter setting options		zero point; span
Interfaces		
Communication interface		EPS
Operating conditions		
Ambient temperature	[°C]	-25...80
Storage temperature	[°C]	-40...100
Protection		IP 67
Tests / approvals		
EMC	EN 61000-4-2 ESD	4 kV CD / 8 kV AD
	EN 61000-4-3 HF radiated	10 V/m
	EN 61000-4-4 Burst	2 kV
	EN 61000-4-6 HF conducted	10 V
Shock resistance	DIN IEC 68-2-27	50 g (11 ms)
Vibration resistance	DIN IEC 68-2-6	20 g (10...2000 Hz)
MTTF	[years]	271

PL2058



Flush pressure transmitter

PL-,25BRES30-E-ZVG/US/ IP

Mechanical data	
Weight [g]	310
Materials	stainless steel (1.4404 / 316L); PEI; FKM
Materials (wetted parts)	ceramics (99.9 % Al ₂ O ₃); PTFE; stainless steel (1.4435 / 316L); surface characteristics: Ra < 0,4 / Rz 4
Min. pressure cycles	100 million
Process connection	threaded connection Aseptoflex external thread Aseptoflex
Remarks	
Remarks	The 3-A qualification is only valid if adapters with 3-A qualification are used for installation.
Pack quantity	1 pcs.

Electrical connection

Connector: 1 x M12; Contacts: gold-plated



Connection

