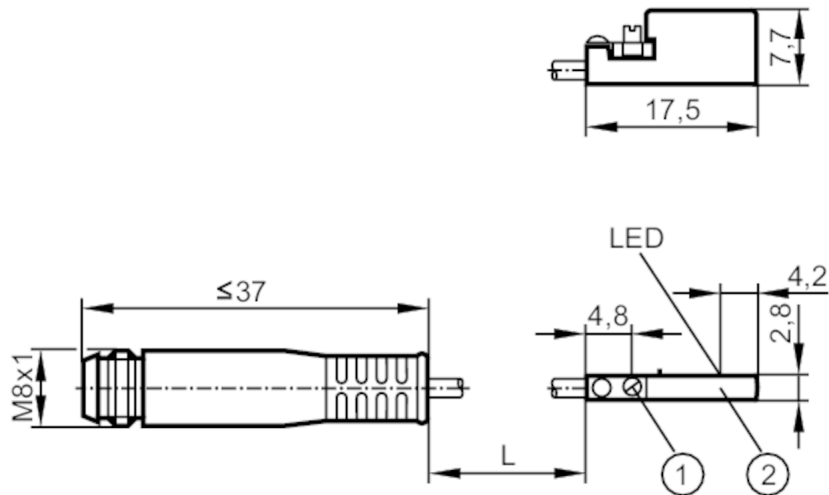


MK5307



C-slot cylinder sensor

MKC3028-ANKG/G/0,3M/ZH/AS



- 1 fastening clamp
2 Sensing face



Electrical data

| | | |
|-----------------------------|------|---|
| Operating voltage | [V] | 10...30 DC; ("supply class 2" to cULus) |
| Current consumption | [mA] | < 10 |
| Protection class | | III |
| Reverse polarity protection | | yes |
| Max. power-on delay time | [ms] | 30 |

Outputs

| | | |
|---|------|---------------|
| Electrical design | | NPN |
| Output function | | normally open |
| Max. voltage drop switching output DC | [V] | 2.5 |
| Permanent current rating of switching output DC | [mA] | 100 |
| Switching frequency DC | [Hz] | 10000 |
| Short-circuit protection | | yes |
| Overload protection | | yes |

Detection zone

| | | |
|----------------------|-------|------|
| Response sensitivity | [mT] | 2.8 |
| Travel speed | [m/s] | > 10 |

Accuracy / deviations

| | | |
|---------------|------|-------|
| Hysteresis | [mm] | 1.5 |
| Repeatability | [mm] | < 0.2 |

Operating conditions

| | | |
|---------------------|------|--------------|
| Ambient temperature | [°C] | -25...85 |
| Protection | | IP 65; IP 67 |

MK5307



C-slot cylinder sensor

MKC3028-ANKG/G/0,3M/ZH/AS

| Tests / approvals | | |
|-------------------|---------------------------|----------------|
| EMC | EN 61000-4-2 ESD | - CD / 8 kV AD |
| | EN 61000-4-3 HF radiated | 10 V/m |
| | EN 61000-4-4 Burst | 2 kV |
| | EN 61000-4-6 HF conducted | 10 V |
| | EN 55011 | class B |
| MTTF | [years] | 3694 |
| UL approval | UL Approval no. | C008 |

| Mechanical data | | |
|-----------------|------|---|
| Weight | [g] | 9.6 |
| Mounting | | non-flush mountable |
| Cylinder type | | C-slot cylinders |
| Dimensions | [mm] | 17.5 x 2.8 x 7.7 |
| Materials | | housing: PA; fastening clamp: stainless steel |

| Displays / operating elements | | |
|-------------------------------|------------------|-----------------|
| Display | switching status | 1 x LED, yellow |

| Electrical connection | | |
|-----------------------|--|------|
| Connection | | plug |

| Remarks | | |
|---------------|--|--------|
| Pack quantity | | 1 pcs. |

Electrical connection - plug

Cable: 0.3 m, PUR

Connector: 1 x M8; Locking: snap-fit



MK5307



C-slot cylinder sensor

MKC3028-ANKG/G/0,3M/ZH/AS

Connection

