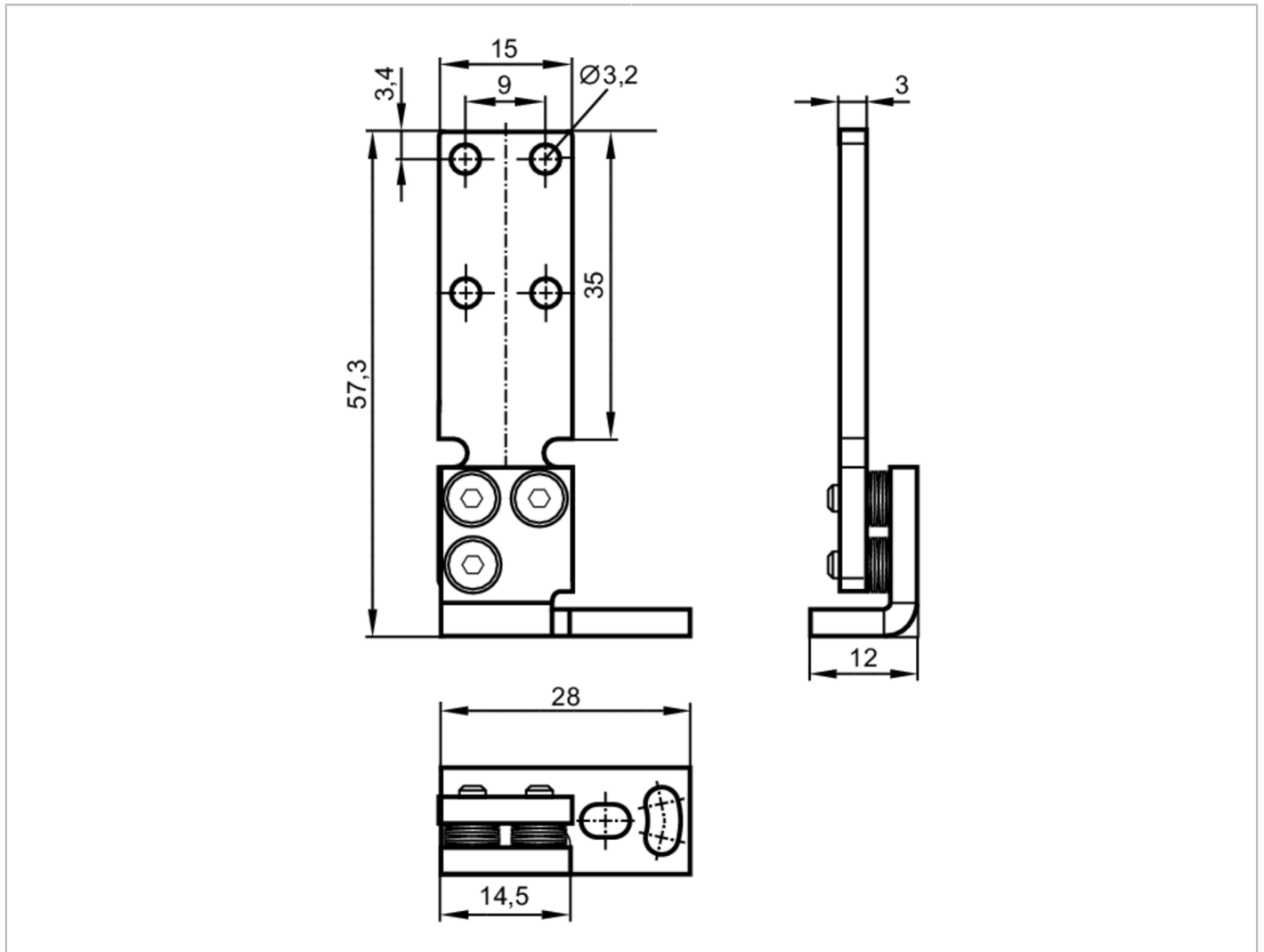


E21239



Mounting and fine adjustment bracket

FIXTURE FOR FINE ADJUSTMENT



Application	
Installation	free-standing mounting; (with fine adjustment)
Mechanical data	
Weight [g]	38.2
Type of mounting	free-standing
Dimensions [mm]	57.3 x 12 x 28
Materials	fixture: stainless steel; Spring: spring steel; screws: stainless steel
Accessories	
Accessories (supplied)	screws: 2
Remarks	
Pack quantity	1 pcs.