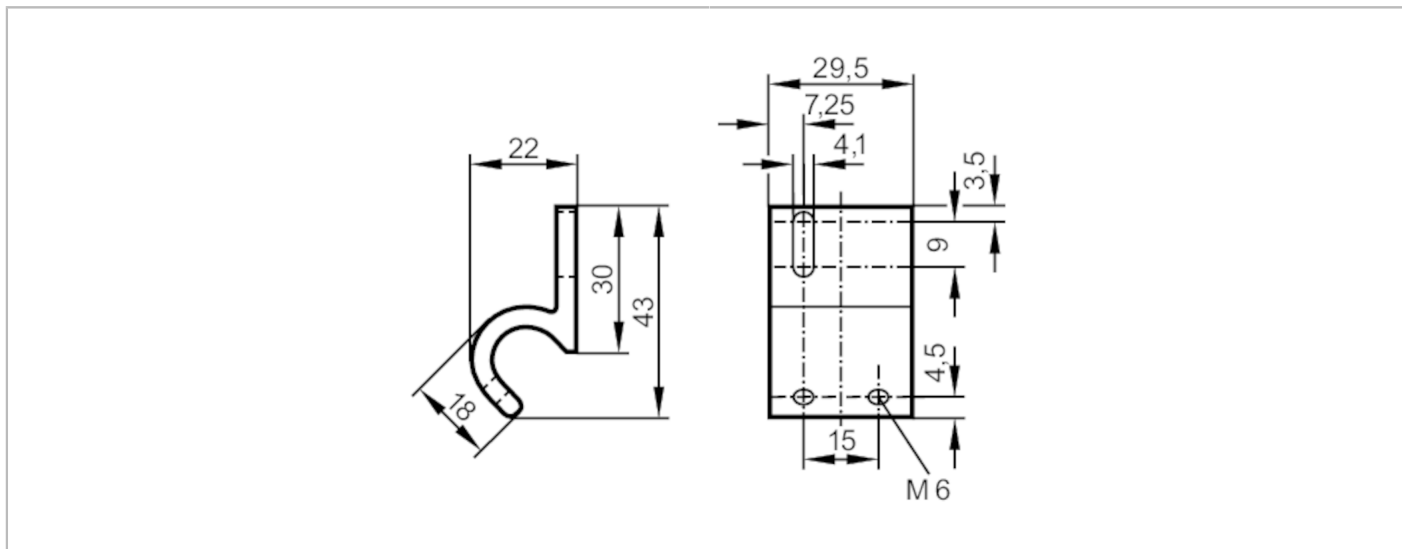


E10891



Mounting adapter for tie-rod cylinders

CLAMP 13 MM



Application	
Design	for pneumatic cylinders ...13 mm
Mechanical data	
Weight [g]	34.8
Dimensions [mm]	22 x 29.5 x 43
Materials	aluminium
Remarks	
Notes	discontinued article
Pack quantity	1 pcs.