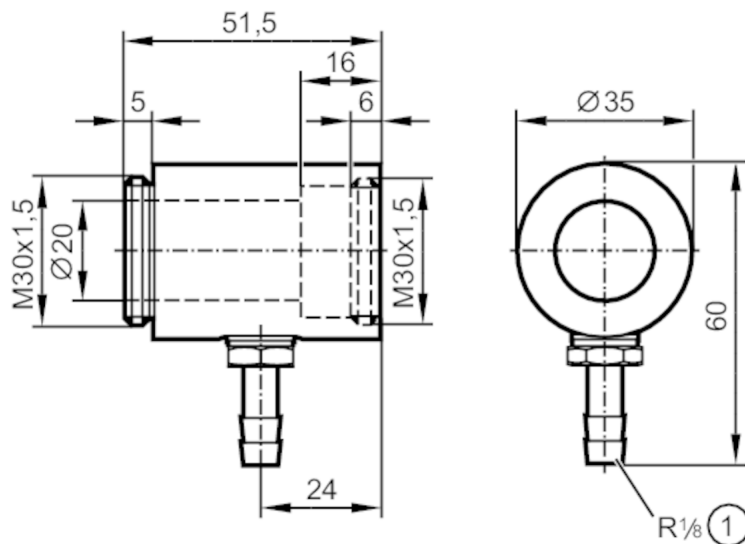


E35063



Air purge

AIR PURGE



1 Tube nozzle for tube with 8-9 mm bore

Application

Design

for infrared temperature sensors TWxxxx, M30

Application

protection against soiling of the lens

Mechanical data

Weight

[g]

206

Materials

stainless steel (1.4305 / 303); brass; sealing ring: aluminium

Remarks

Pack quantity

1 pcs.

Diagrams and graphs