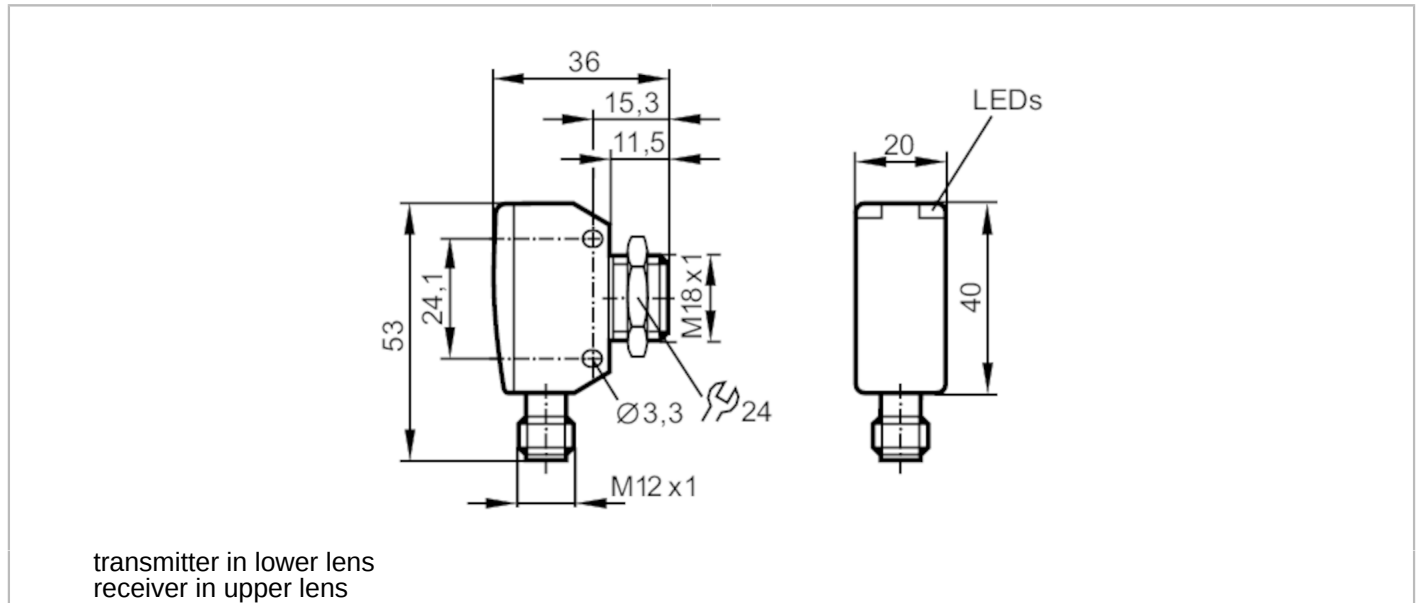


OGH381



Diffuse reflection sensor with background suppression

OGH-HPKG/US/V4A/CUBE/200MM



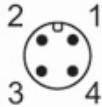
Application	
Function principle	Diffuse reflection sensor
Electrical data	
Operating voltage [V]	10...30 DC
Current consumption [mA]	30
Protection class	III
Reverse polarity protection	yes
Type of light	red light
Wave length [nm]	624
Outputs	
Electrical design	PNP
Output function	light-on mode
Max. voltage drop switching output DC [V]	2.5
Permanent current rating of switching output DC [mA]	150; (200 (...60 °C))
Switching frequency DC [Hz]	1000
Short-circuit protection	yes
Type of short-circuit protection	pulsed
Overload protection	yes
Detection zone	
Range [mm]	< 200; (white paper 200 x 200 mm 90 % remission)
Range adjustable	no
Max. light spot diameter [mm]	13
Light spot dimensions refer to	at maximum range
Background suppression available	yes

OGH381



Diffuse reflection sensor with background suppression

OGH-HPKG/US/IV4A/CUBE/200MM

Operating conditions		
Ambient temperature	[°C]	-25...80
Protection		IP 67; IP 68; IP 69K
Tests / approvals		
EMC		EN 60947-5-2
MTTF	[years]	887
Mechanical data		
Weight	[g]	78
Housing		rectangular
Dimensions	[mm]	M18 x 1
Thread designation		M18 x 1
Materials		1.4542 (17-4 PH / 630); PEI
Lens material		PEI
Lens alignment		side lens
Displays / operating elements		
Display	switching status	1 x LED, yellow
	operation	1 x LED, green
Accessories		
Accessories (supplied)		lock nut: 1 x, stainless steel
Remarks		
Remarks		operating voltage "supply class 2" according to cULus
Pack quantity		1 pcs.
Electrical connection		
Connector: 1 x M12		
		

OGH381



Diffuse reflection sensor with background suppression

OGH-HPKG/US/V4A/CUBE/200MM

Connection

