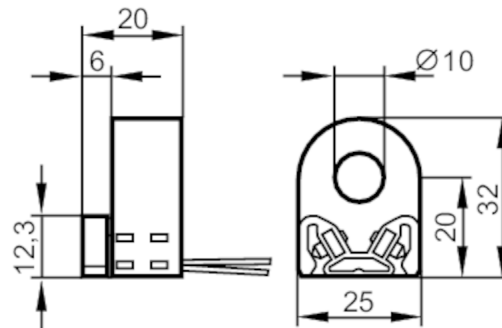


N7R20A



Inductive NAMUR ring sensor

I7R2010-N /1G/1D



Electrical data

| | |
|------------------------------------|---|
| Connection to switching amplifiers | yes |
| Switching amplifiers | connection to certified intrinsically safe circuits with the max. values: U = 15 V / I = 50 mA / P = 120 mW |
| Nominal voltage DC [V] | 8.2; (1kΩ) |
| Current consumption [mA] | < 1.2; (disabled; conductive: > 2,1) |
| Protection class | III |

Outputs

| | |
|-------------------|-----------------|
| Electrical design | NAMUR |
| Output function | normally closed |

Detection zone

| | |
|--------------------------------|----|
| Measuring ball (diameter) [mm] | 4 |
| Max. travel speed [m/s] | 25 |

Accuracy / deviations

| | |
|-----------------|---|
| Hysteresis [mm] | 1 |
|-----------------|---|

Operating conditions

| | |
|-----------------------------|------------------------------|
| Ambient temperature [°C] | -40...100 |
| Note on ambient temperature | max. temperature span: 100 K |
| Protection | IP 67 |

Tests / approvals

| | |
|--------------|-------------------------------------|
| Approval | BVS 08 ATEX E026; IECEx BVS 09.0016 |
| ATEX marking | II 1G Ex ia IIC T4 Ga |
| | II 1D Ex ia IIIC T125°C Da |
| EMC | EN 60947-5-2 |
| MTTF [years] | 3318 |

Safety classification

| | |
|--------------------------------|-----|
| Max. internal capacitance [nF] | 150 |
| Max. internal inductance [μH] | 100 |

N7R20A



Inductive NAMUR ring sensor

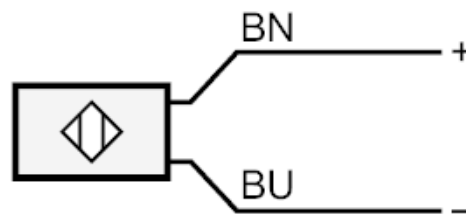
I7R2010-N /1G/1D

| Mechanical data | |
|----------------------|--------------|
| Weight [g] | 44 |
| Housing | circular |
| Dimensions [mm] | 32 x 25 x 20 |
| Inside diameter [mm] | 10 |
| Materials | PA 12-GF30 |

| Remarks | |
|---------------|--------|
| Pack quantity | 1 pcs. |

| Electrical connection | |
|--|--|
| Cable: 0.15 m; 2 x 0.14 mm ² , PTFE | |

Connection



Core colours :
BN = brown
BU = blue