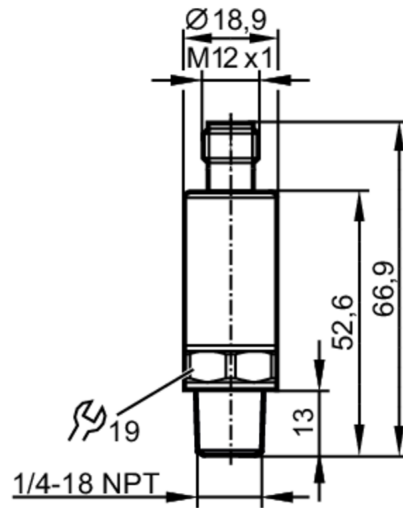


PT2443



Pressure transmitter

PT-050PSEN14-A-ZVG/US/ IW



Application		
Application		for industrial applications
Media		liquids and gases
Medium temperature	[°C]	-40...90
Pressure rating	[psi]	1450
Note on pressure rating		static
Min. bursting pressure	[psi]	11600
Vacuum resistance	[psi]	-14.5
Type of pressure		relative pressure
MAWP (for applications according to CRN)	[psi]	1450
Electrical data		
Operating voltage	[V]	8.5...36 DC
Min. insulation resistance	[MΩ]	100; (500 V DC)
Protection class		III
Reverse polarity protection		yes
Outputs		
Total number of outputs		1
Output signal		analogue signal
Number of analogue outputs		1
Analogue current output	[mA]	4...20
Max. load	[Ω]	720; (U _b = 24 V; (U _b - 8,5 V) / 21,5 mA)
Short-circuit proof		yes
Overload protection		yes
Measuring/setting range		
Measuring range	[psi]	0...500

PT2443



Pressure transmitter

PT-050PSEN14-A-ZVG/US/ IW

Accuracy / deviations		
Repeatability [% of the span]	< ± 0,05; (with temperature fluctuations < 10 K)	
Characteristics deviation [% of the span]	< ± 0,5; (incl. drift when overtightened, zero point and span error, non-linearity, hysteresis)	
Linearity deviation [% of the span]	< ± 0,1 (BFSL) / < ± 0,2 (LS)	
Hysteresis deviation [% of the span]	< ± 0,2	
Long-term stability [% of the span]	< ± 0,1; (per 6 months)	
Temperature coefficient zero point and span [% of the span / 10 K]	< 0,1 (-25...90 °C) / < 0,2 (-40...-25 °C)	
Response times		
Step response time analogue output [ms]	1	
Operating conditions		
Ambient temperature [°C]	-40...90	
Storage temperature [°C]	-40...100	
Protection	IP 67; IP 69K	
Tests / approvals		
EMC	DIN EN 61000-6-2	
	DIN EN 61000-6-3	
Shock resistance	DIN EN 60068-2-27	50 g (11 ms)
Vibration resistance	DIN EN 60068-2-6	20 g (10...2000 Hz)
MTTF [years]	784	
Pressure Equipment Directive	Sound Engineering Practice; can be used for group 2 fluids; group 1 fluids on request	
Mechanical data		
Weight [g]	57.5	
Materials	1.4542 (17-4 PH / 630); stainless steel (1.4404 / 316L); PEI	
Materials (wetted parts)	1.4542 (17-4 PH / 630)	
Min. pressure cycles	60 million; (at 1.2 times nominal pressure)	
Tightening torque [Nm]	< 50; (recommended tightening torque; depends on lubrication, seal and pressure rating)	
Process connection	threaded connection 1/4 NPT external thread	
Restrictor element integrated	no (can be retrofitted)	
Remarks		
Remarks	BFSL = Best Fit Straight Line LS = limit value setting	
Pack quantity	1 pcs.	
Electrical connection		
Connector: 1 x M12		

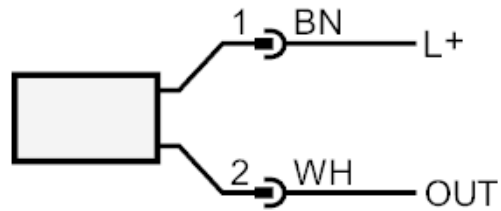
PT2443

Pressure transmitter

PT-050PSEN14-A-ZVG/US/ IW



Connection



OUT analogue output
 colours to DIN EN 60947-5-2
 Core colours :

BN = brown
WH = white