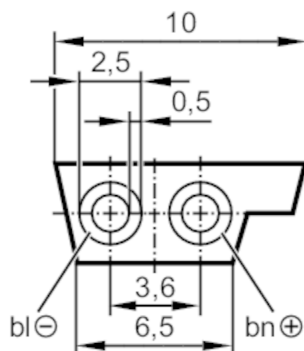


E74013



AS-Interface flat cable

Flat cable 500 meter EPDM bk



Electrical data

Operating voltage [V] 26.5...31.6 DC

Outputs

Electrical design AS-i

Operating conditions

Ambient temperature [°C] -40...85

Protection IP 67

Mechanical data

Weight [g] 40000

Remarks

Remarks 500 m form supplied: coiled

Pack quantity 500 m

Electrical connection

Cable: 500 m, EPDM, Halogen-free, black; 2 x 1.5 mm²