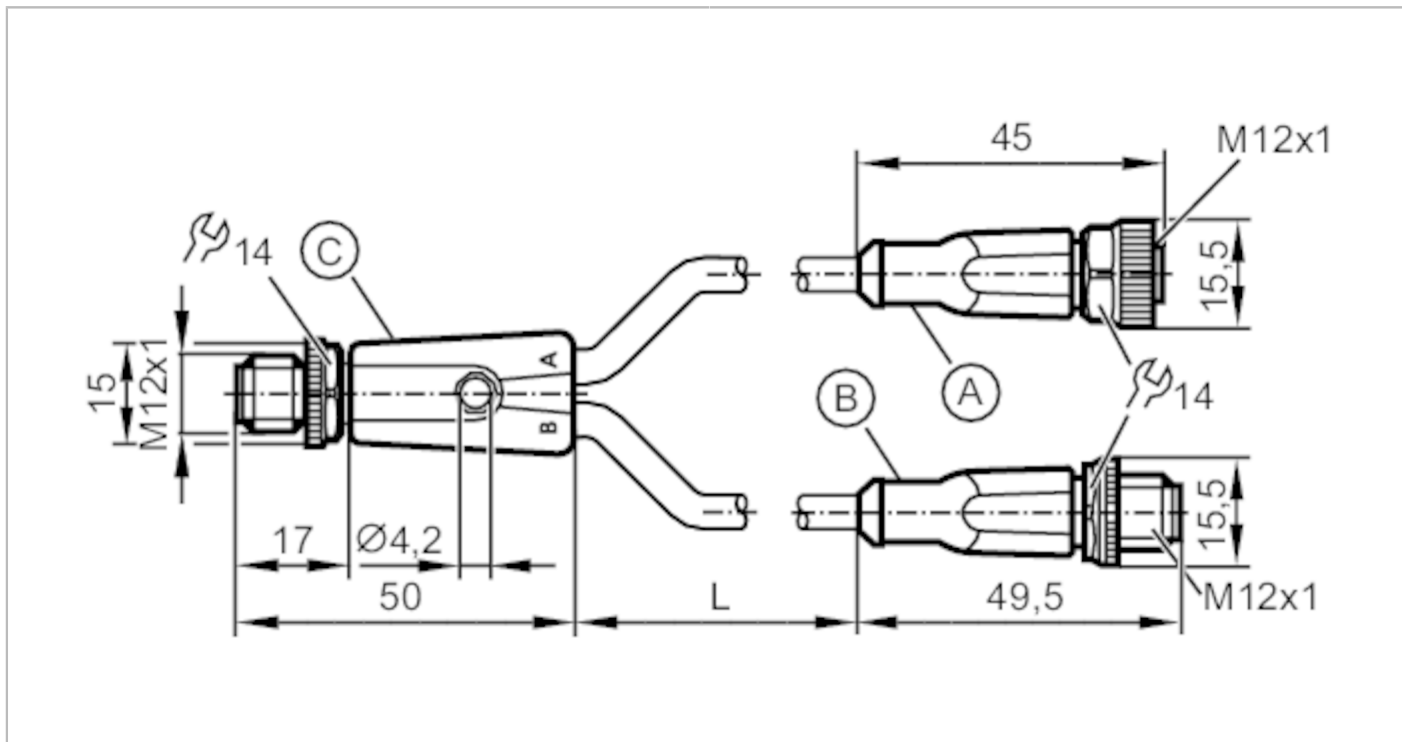


EVC696



Y connection cable

YDSGHDA0MSS0010HDASTGH030MSS



Application		
Free from silicone	yes	
Electrical data		
Operating voltage [V]	< 24 DC	
Protection class	III	
Max. current load total [A]	4	
Operating conditions		
Ambient temperature [°C]	-25...90	
Protection	IP 65; IP 67; IP 68; IP 69K	
Mechanical data		
Weight [g]	660.2	
Materials	Connecting cable with plug: TPU orange; Connecting cable with socket: TPU orange; Sealing: FKM	
Number of ports splitter box	2	
Drag chain suitability	bending radius for flexible use	min. 10 x cable diameter
	travel speed	max. 3.3 m/s for a horizontal travel length of 5 m and max. acceleration of 5 m/s ²
	bending cycles	> 5 Mio.
	torsional strain	± 180 °/m
Drag chain suitability	yes	
Remarks		
Pack quantity	1 pcs.	

EVC696



Y connection cable

YDSGHDA0MSS0010HDASTGH030MSS

Electrical connection

Cable: 10 m, PUR, Halogen-free, black, \varnothing 4.9 mm; 2 x 0.34 mm² (42 x \varnothing 0.1 mm) + 5 x 0.34 mm² (42 x \varnothing 0.1 mm)

Electrical connection - Connection

Connection

