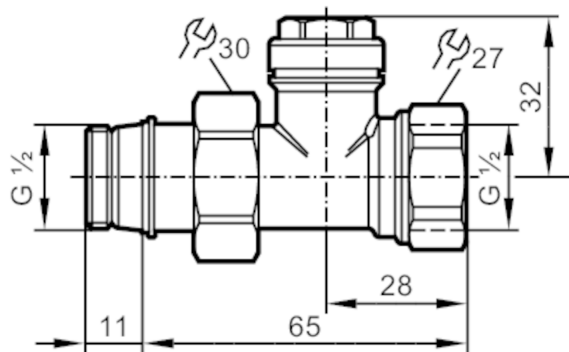


E40250



Regulating valve

ADJUSTMENT VALVE G1/2"



Application

Pressure rating [bar] 10

Mechanical data

Weight [g] 230.6

Materials brass nickel-plated; EPDM

Sensor connection G 1/2

Process connection G 1/2

Remarks

Pack quantity 1 pcs.

E40250

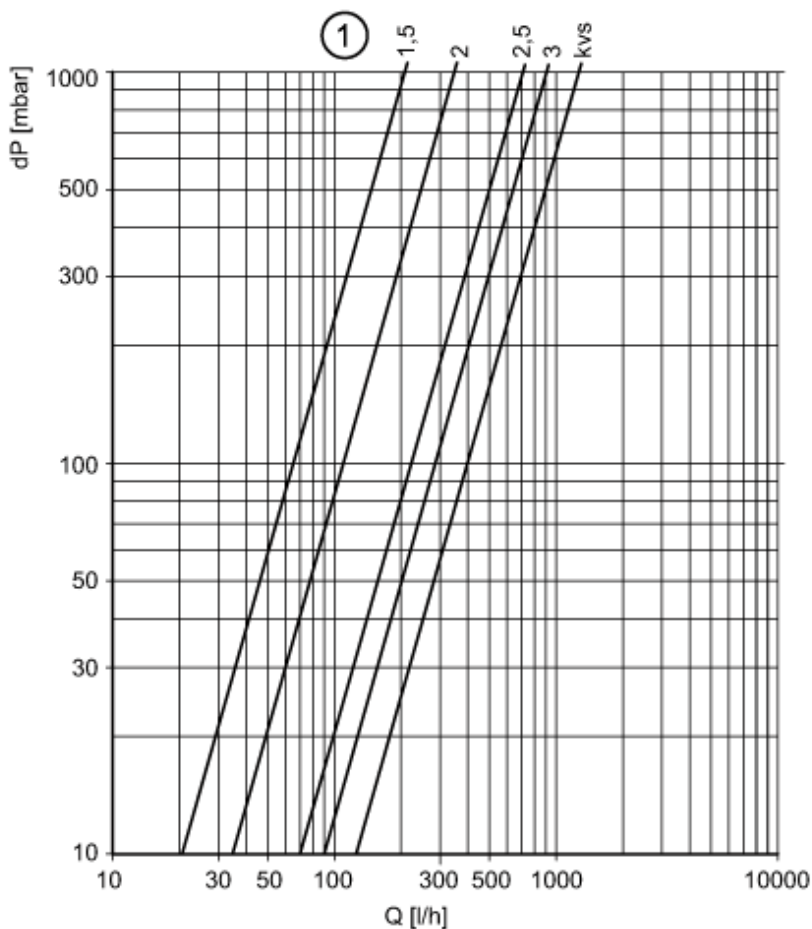


Regulating valve

ADJUSTMENT VALVE G1/2"

Diagrams and graphs

Pressure loss



①	1,5	2	2,5	3	kvs
kv	0,21	0,35	0,71	0,89	1,25

dP Pressure loss

Q volumetric flow quantity

1: angle of aperture number of revolutions counterclockwise starting from position "closed"

kv = flow coefficient

kvs
= kv at maximum opening