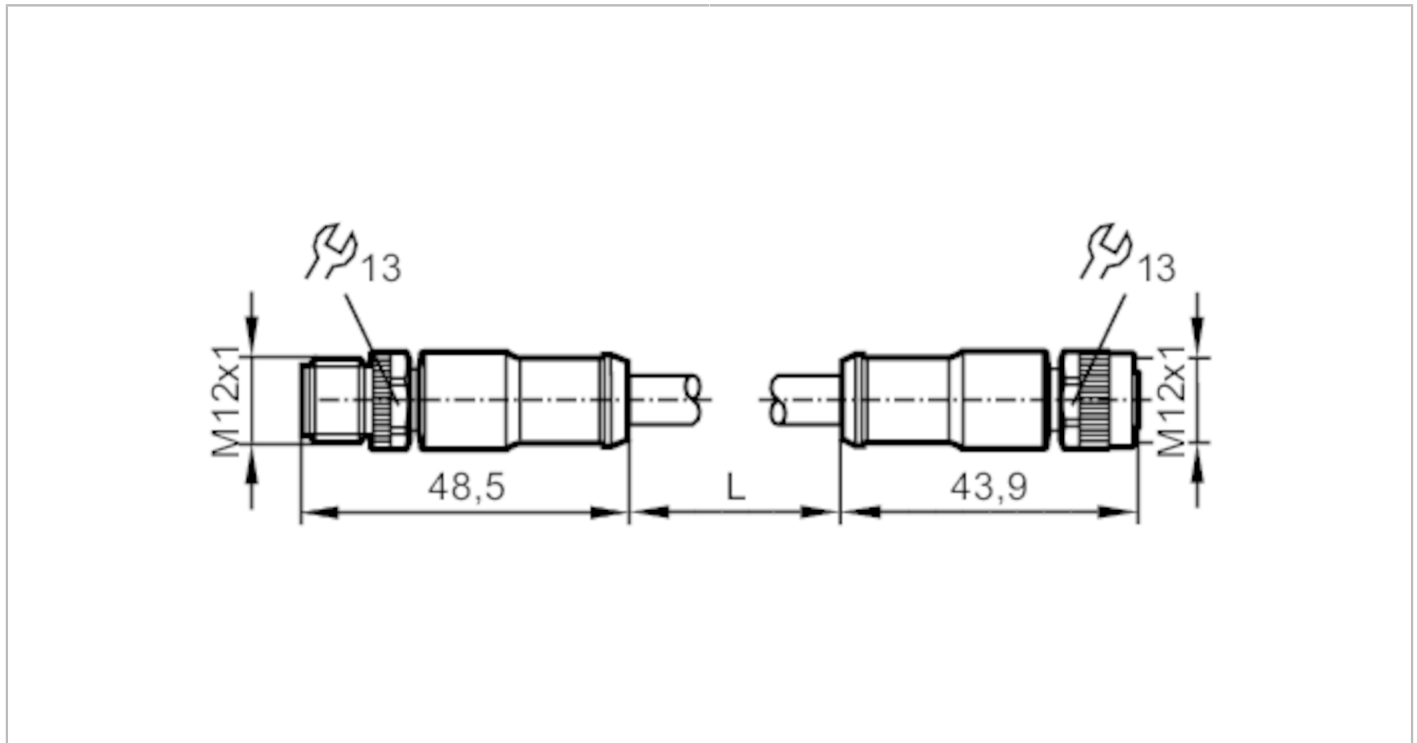


E11595



Connection cable

VDOGH050ZDA0010C05STGH050ZDS



Application		
Application	CAN bus	
Electrical data		
Operating voltage [V]	< 30 AC / < 36 DC	
Max. current load total [A]	4	
Operating conditions		
Ambient temperature [°C]	-25...80	
Protection	IP 68	
Mechanical data		
Weight [g]	788.4	
Dimensions [mm]	14.5 x 14.5 x 48.5	
Materials	PUR	
Material nut	diecast zinc / diecast zinc	
Drag chain suitability	bending radius for flexible use	min. 10 x cable diameter
	travel speed	max. 3.3 m/s for a horizontal travel length of 5 m and max. acceleration of 5 m/s ²
	bending cycles	> 1 Mio.
Drag chain suitability	yes	
Remarks		
Pack quantity	1 pcs.	

E11595



Connection cable

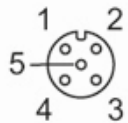
VDOGH050ZDA0010C05STGH050ZDS

Electrical connection

Cable: 10 m, PUR, Halogen-free, lilac, Ø 6.8 mm, shielded; 2 x 0.25 mm² (19 x Ø 0.13 mm) + 2 x 0.34 mm² (19 x Ø 0.16 mm) + 1 x 0.34 mm² (19 x Ø 0.16 mm)

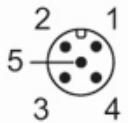
Electrical connection - socket

Connector: 1 x M12, straight; Moulded body: PUR; Locking: diecast zinc, nickel-plated; Contacts: gold-plated; Tightening torque: 0.5 Nm

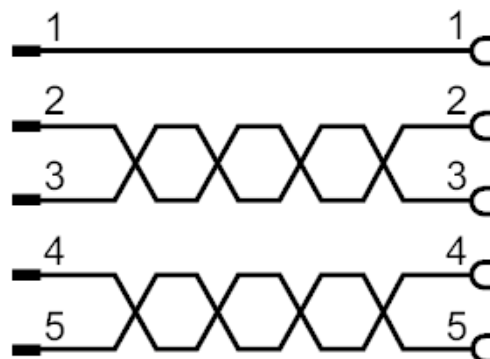


Electrical connection - plug

Connector: 1 x M12, straight; Moulded body: PUR; Locking: diecast zinc, nickel-plated; Contacts: gold-plated; Tightening torque: 0.5 Nm



Connection



Core colours :

BK = black
BU = blue
RD = red
WH = white
screen = screen