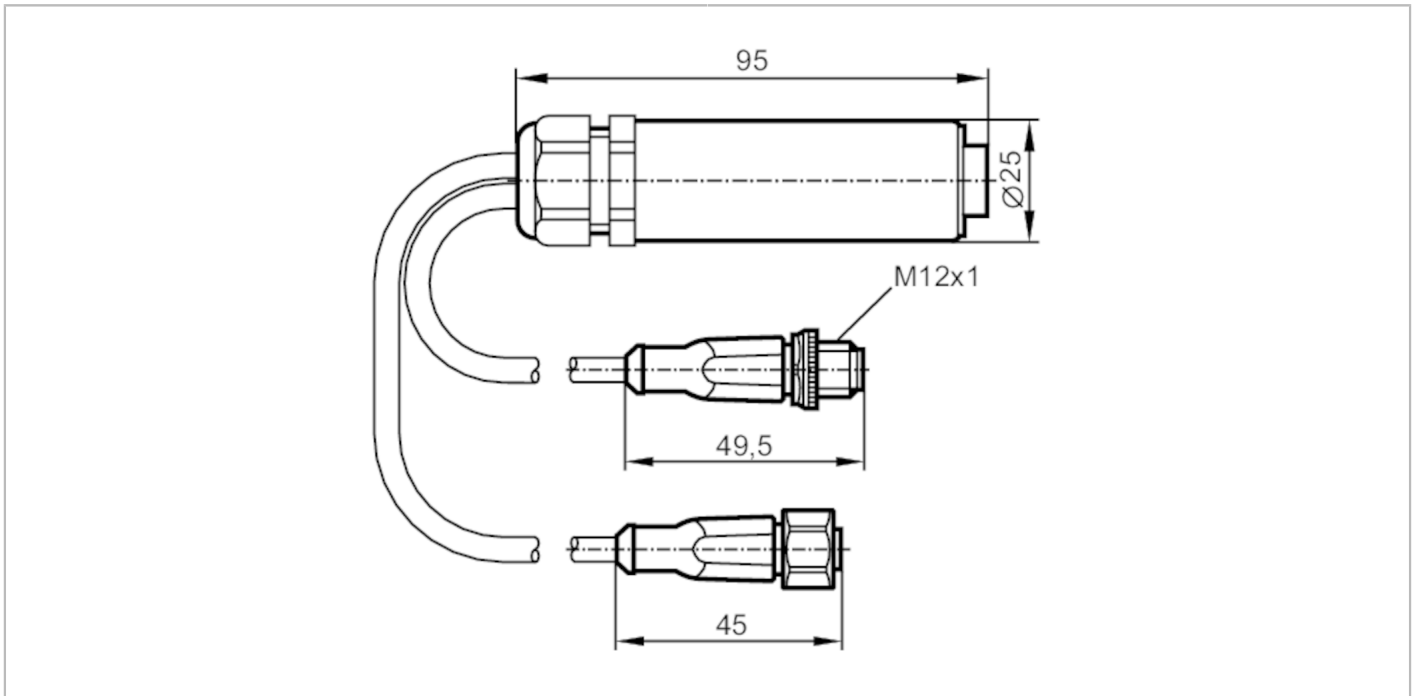


E40212



Teach button for flow sensors

SC TEACH BUTTON OR



Application

Design for flow sensors SC with relay output as normally open

Electrical data

Frequency AC	[Hz]	47...63
Operating voltage tolerance	[%]	15
Operating voltage	[V]	< 24 AC/DC; (according to EN 50178 SELV/PELV)

Operating conditions

Protection IP 40

Mechanical data

Weight	[g]	223.6
Materials		stainless steel (1.4305 / 303); PA; PMMA

Remarks

Pack quantity 1 pcs.

E40212



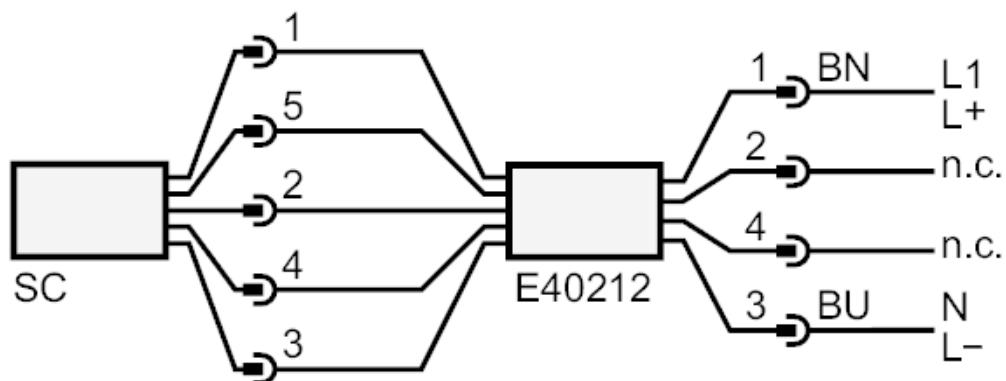
Teach button for flow sensors

SC TEACH BUTTON OR

Electrical connection

Cable: 0.9 m, PUR

Connection



Core colours :

BN = brown
BU = blue