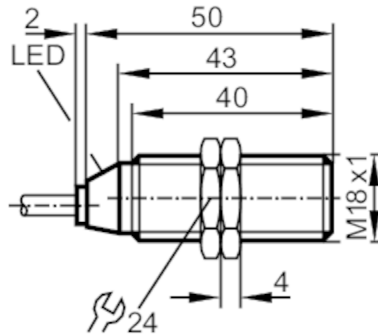


MGS202



Magnetic sensor

MGB3070-APKG/ZH



Electrical data

Operating voltage	[V]	10...30 DC
Current consumption	[mA]	< 10
Protection class		II
Reverse polarity protection		yes

Outputs

Electrical design		PNP
Output function		normally closed
Max. voltage drop switching output DC	[V]	2.5
Permanent current rating of switching output DC	[mA]	200
Switching frequency DC	[Hz]	5000
Short-circuit protection		yes
Overload protection		yes

Detection zone

Sensing range	[mm]	70; (referred to magnet M 4.0)
Response sensitivity	[mT]	0.8

Accuracy / deviations

Hysteresis	[% of Sr]	1...10
------------	-----------	--------

Operating conditions

Ambient temperature	[°C]	-25...75
Protection		IP 67

Tests / approvals

EMC	EN 61000-4-2 ESD	4 kV CD / 8 kV AD
	EN 61000-4-3 HF radiated	10 V/m
	EN 61000-4-4 Burst	2 kV
	EN 61000-4-5 Surge	0,5 kV line to line, Ri: 2 Ohm
	EN 61000-4-6 HF conducted	10 V
MTTF	EN 55011	class B
	[years]	2630

MGS202

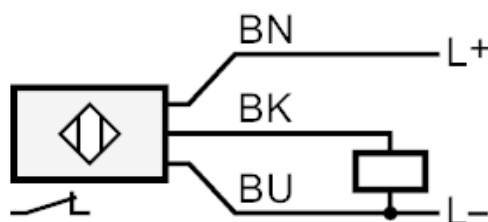


Magnetic sensor

MGB3070-APKG/ZH

Mechanical data		
Weight	[g]	128.2
Housing		threaded type
Dimensions	[mm]	M18 x 1 / L = 50
Thread designation		M18 x 1
Materials		housing: stainless steel; sensing face: PBT orange; lock nuts: brass
Displays / operating elements		
Display	switching status	1 x LED, yellow
Accessories		
Accessories (supplied)		lock nuts: 2
Remarks		
Pack quantity		1 pcs.
Electrical connection		
Cable: 2 m, PUR; 3 x 0.34 mm ²		

Connection



Core colours :

- BK = black
- BN = brown
- BU = blue