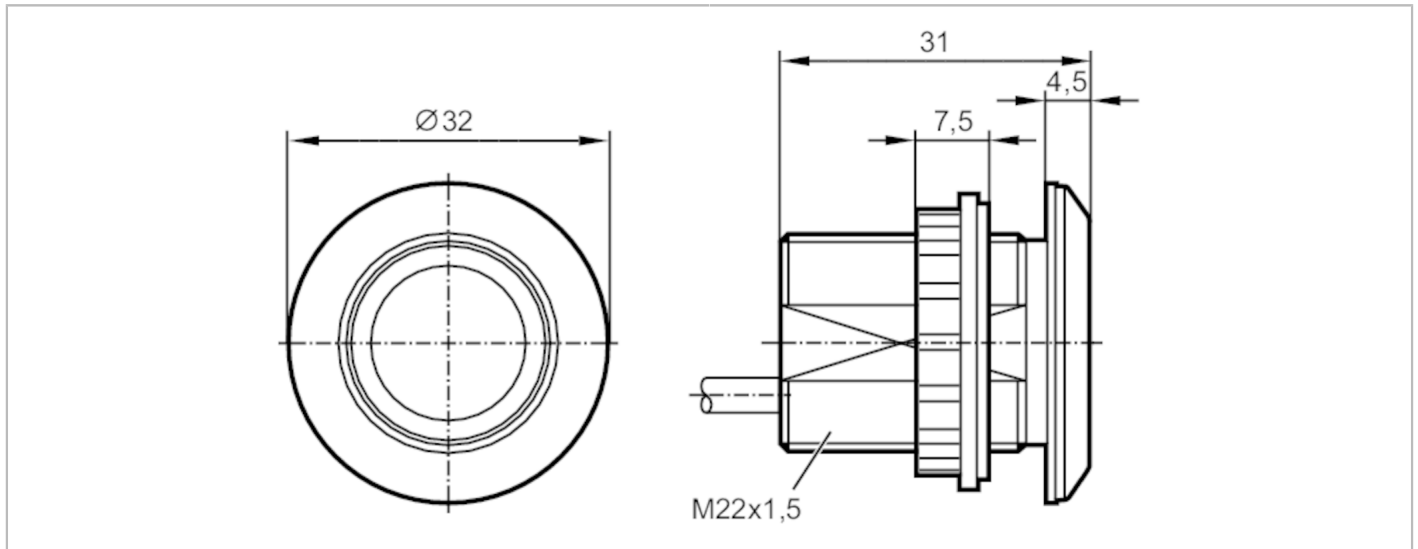


KT5351



Capacitive illuminated pushbutton

KTMBF-ERGBPKG/US/0,3M



Application		
Operating principle		bistable
Electrical data		
Operating voltage [V]		12...30 DC
Current consumption [mA]		30
Protection class		III
Reverse polarity protection		yes
Max. power-on delay time [ms]		500
Outputs		
Electrical design		PNP
Output function		normally open
Permanent current rating of switching output DC [mA]		200
Short-circuit protection		yes
Overload protection		yes
Response times		
Response time [ms]		35
Operating conditions		
Ambient temperature [°C]		-40...85
Protection		IP 65; IP 67; IP 69K; (on the front)
Mechanical data		
Weight [g]		77.8
Dimensions [mm]		Ø 32 / L = 31
Materials		housing: stainless steel (1.4404 / 316L); active face: PA Grilamid TR 90UV
Displays / operating elements		
Display	switching status	1 x LED, green
	function	1 x LED, red can be triggered

KT5351



Capacitive illuminated pushbutton

KTMBF-ERGBPKG/US/0,3M

Electrical connection

Connection	plug
------------	------

Accessories

Accessories (supplied)	lock nuts: 1 Gasket: 1
Accessories (optional)	symbol disc

Remarks

Pack quantity	1 pcs.
---------------	--------

Electrical connection - plug

Cable: 0.3 m, PUR

Connector: 1 x M12



Connection

