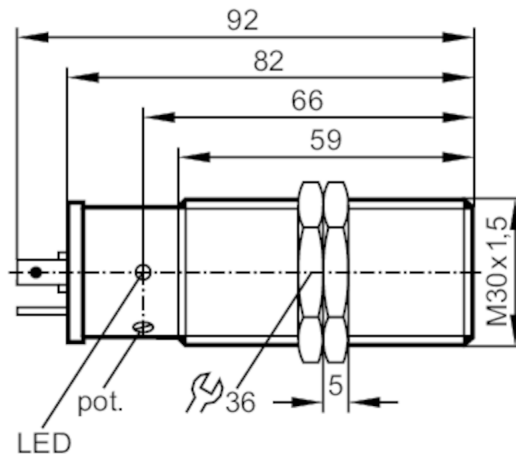


# KI0040



## Capacitive sensor

KI-2015-FBOA/NI/SS-000-K



### Electrical data

Operating voltage [V]	20...250 AC/DC
Reverse polarity protection	no

### Outputs

Output function	normally open / normally closed; (selectable)
Max. voltage drop switching output DC [V]	8
Max. voltage drop switching output AC [V]	10
Minimum load current [mA]	5
Max. leakage current [mA]	2.5 (250 V AC) / 1.7 (110 V AC) / 1.5 (24 V DC)
Permanent current rating of switching output AC [mA]	200; (250 (...50 °C))
Permanent current rating of switching output DC [mA]	200; (250 (...50 °C))
Short-time current rating of switching output [mA]	1500; (20 ms / 0,5 Hz)
Switching frequency AC [Hz]	25
Switching frequency DC [Hz]	40
Short-circuit proof	no
Overload protection	no

### Detection zone

Sensing range [mm]	15
Real sensing range Sr [mm]	15 ± 10 %
Operating distance [mm]	0...12.1

### Accuracy / deviations

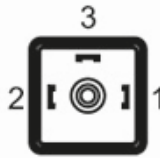
Correction factor	glass: 0.4 / water: 1 / ceramics: 0.2 / PVC: 0.2
Hysteresis [% of Sr]	1...15
Switch point drift [% of Sr]	-15...15

# KI0040



## Capacitive sensor

KI-2015-FBOA/NI/SS-000-K

Operating conditions		
Ambient temperature	[°C]	-20...70
Protection		IP 65
Increased immunity		yes; (increased immunity to conducted radio frequency interference)
Tests / approvals		
EMC		EN 60947-5-2
MTTF	[years]	293
Mechanical data		
Weight	[g]	104.6
Housing		threaded type
Mounting		non-flush mountable
Dimensions	[mm]	M30 x 1.5 / L = 92
Thread designation		M30 x 1.5
Materials		PBT
Displays / operating elements		
Display	switching status	1 x LED, yellow
Electrical connection		
Required protection		miniature fuse to IEC60127-2 sheet 1; ≤ 2 A; fast acting
Accessories		
Accessories (supplied)		lock nuts: 2 screwdriver: 1
Remarks		
Remarks		Recommendation: Check the safe functioning of the unit after a short circuit.
Pack quantity		1 pcs.
Electrical connection - plug		
Connector: 1 x valve plug type A DIN (DIN EN 175301-803)		
		

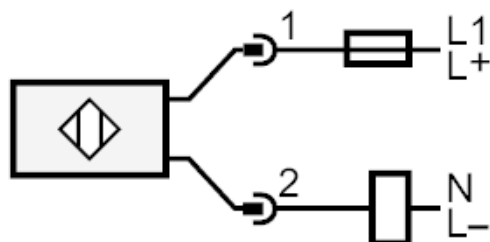
# KI0040

## Capacitive sensor

KI-2015-FBOA/NI/SS-000-K



### Connection



Note miniature fuse to IEC60127-2 sheet 1  $\leq 2$  A fast acting