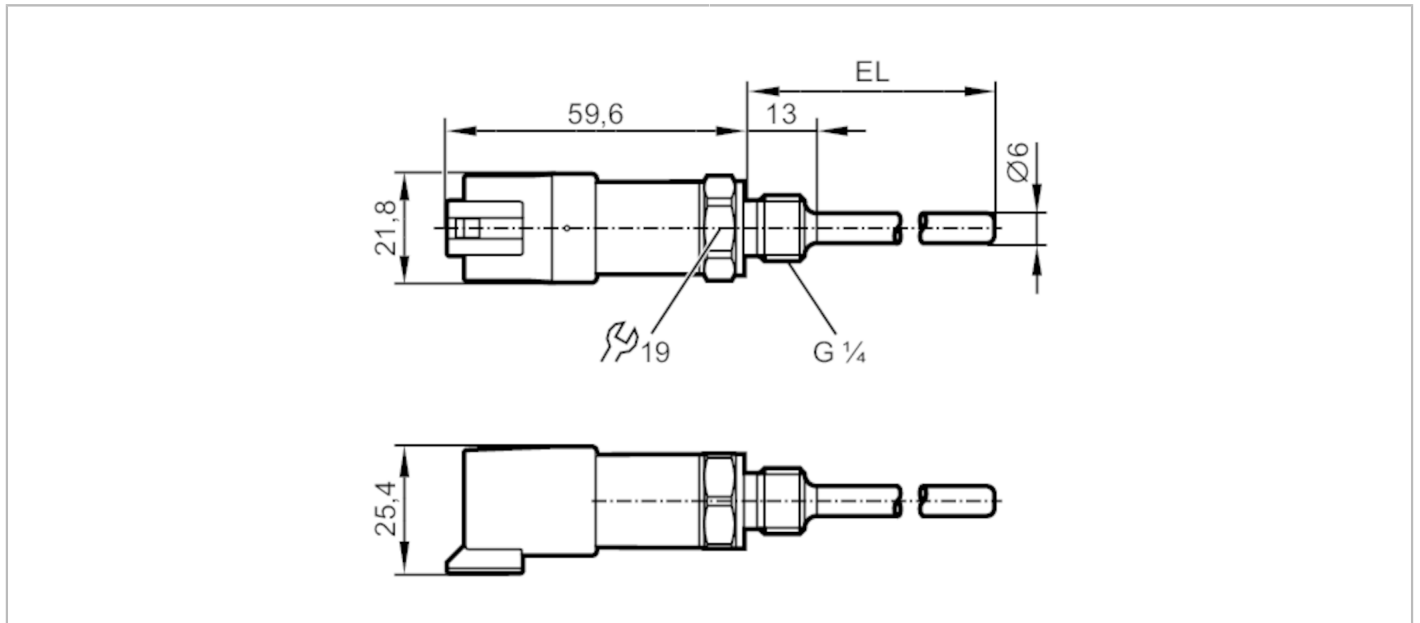


# TA4105



## Temperature transmitter

TA-025CLEM14-A-ZVG/DE



| Application                                    |  |
|--|--|
| Measuring element                              | 1 x Pt 1000; (to DIN EN 60751, class A)                            |
| Media  | liquids and gases  |
| Pressure rating [bar]                          | 400  |
| Electrical data                                |  |
| Operating voltage [V]                          | 10...30 DC; ("supply class 2" to cULus)                            |
| Current consumption [mA]                       | < 30   |
| Protection class                               | III  |
| Reverse polarity protection                    | yes  |
| Outputs  |  |
| Total number of outputs                        | 1  |
| Output signal                                  | analogue signal  |
| Number of analogue outputs                     | 1  |
| Analogue current output [mA]                   | 4...20   |
| Max. load [Ω]                                  | ( $U_b - 8,5 \text{ V}$ ) / 21,5 mA; 24 V: 720 Ω                   |
| Short-circuit protection                       | yes  |
| Overload protection                            | yes  |
| Measuring/setting range                        |  |
| Measuring range                                | -50...150 °C      -58...302 °F                                     |
| Resolution                                     |  |
| Resolution of analogue output [K]              | 0.04   |
| Accuracy / deviations                          |  |
| Precision analogue output [K]                  | ± 0,3 + (± 0,1 % MS)   |
| Temperature coefficient [% of the span / 10 K] | 0,1; (in case of deviation from the reference condition 25 ± 5 °C) |

# TA4105



## Temperature transmitter

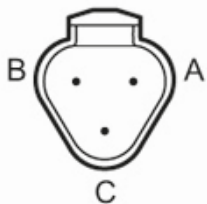
TA-025CLEM14-A-ZVG/DE

| Response times             |         |                          |   |
|----------------------------|---------|--------------------------|---|
| Dynamic response T05 / T09 | [s]     | 1 / 3; (to DIN EN 60751) |   |
| Operating conditions       |         |                          |   |
| Ambient temperature        | [°C]    | -40...100                |   |
| Storage temperature        | [°C]    | -40...100                |   |
| Protection                 |         | IP 68; IP 69K            |   |
| Tests / approvals          |         |                          |   |
| EMC                        |         | DIN EN 61000-6-2         |   |
|                            |         | DIN EN 61000-6-3         |   |
| Shock resistance           |         | DIN EN 60068-2-27        | 50 g (11 ms)                              |
| Vibration resistance       |         | DIN EN 60068-2-6         | 20 g (10...2000 Hz)                       |
| MTTF                       | [years] |                          | 1092                                      |
| UL approval                |         | UL Approval no.          | K006                                      |
| Mechanical data            |         |                          |   |
| Weight                     | [g]     |                          | 91.8                                      |
| Materials                  |         |                          | stainless steel (1.4404 / 316L); PPS; FKM |
| Materials (wetted parts)   |         |                          | stainless steel (1.4404 / 316L); FKM      |
| Process connection         |         |                          | threaded connection G 1/4 external thread |
| Probe diameter             | [mm]    |                          | 6   |
| Installation length EL     | [mm]    |                          | 25  |

| Remarks       |   |
|---------------|---|
| Remarks       | The values for accuracy apply to flowing water.<br>referring to UL: for use on a low voltage circuit with overcurrent protection<br>in accordance with UL873 tab. 28.1 or $I_{max} = 100/U_b$ ( $U_b$ = voltage of the circuit) |
| Pack quantity | 1 pcs.  |

## Electrical connection

Connector: 1 x DEUTSCH connector (DT04-3P)



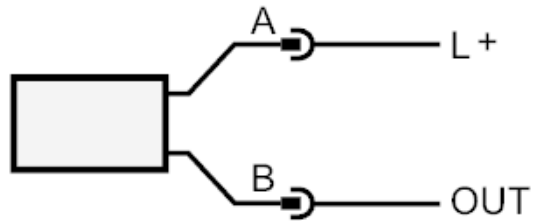
# TA4105

## Temperature transmitter

TA-025CLEM14-A-ZVG/DE



### Connection



OUT: analogue output