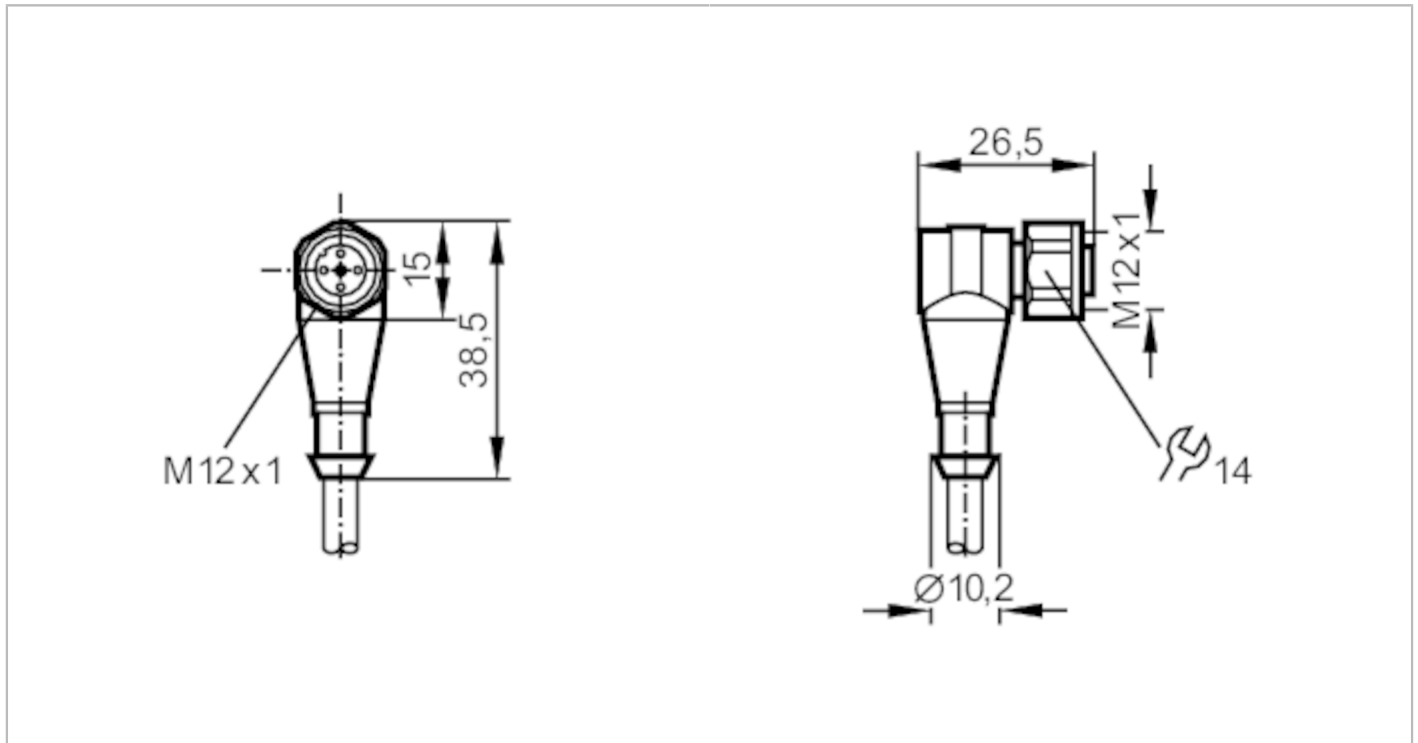


# E12456



## Connecting cable with socket

ADOAH080VAS0003G08



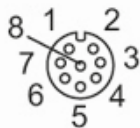
Electrical data		
Operating voltage	[M]	< 30 AC / < 36 DC
Protection class		III
Operating conditions		
Ambient temperature	[°C]	-25...80
Protection		IP 67
Mechanical data		
Weight	[g]	245
Dimensions	[mm]	26.5 x 15 x 38.5
Materials		PVC
Material nut		stainless steel
Remarks		
Notes		For 8-pole sockets the core colours are not standardised.; Please note the wiring of the sensor and the sockets (see data sheet).
Pack quantity		1 pcs.
Electrical connection		
Cable: 3 m, PVC, orange, Ø 6.6 mm, shielded; 8 x 0.25 mm <sup>2</sup> (14 x Ø 0.15 mm )		
Electrical connection - socket		
Connector: 1 x M12, angled; Moulded body: PVC; Locking: stainless steel; Tightening torque: 0.7...0.9 Nm; Shielded connection cable: screen connected		

# E12456

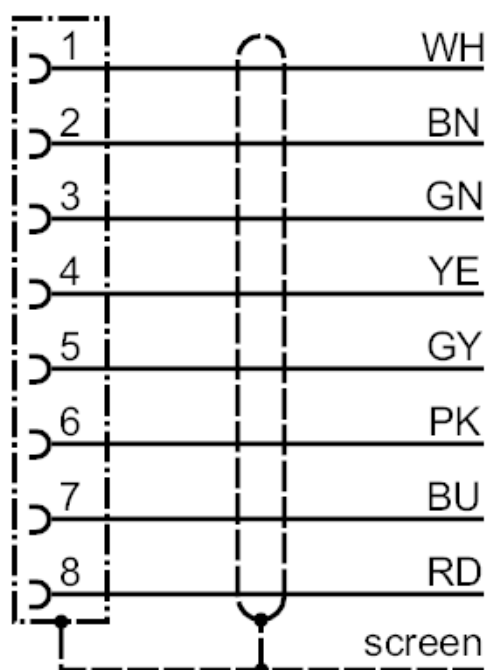


## Connecting cable with socket

ADOAH080VAS0003G08



### Connection



colours to DIN 47100

Core colours :

BN =	brown
BU =	blue
GN =	green
GY =	grey
PK =	pink
RD =	red
WH =	white
YE =	yellow
screen =	screen