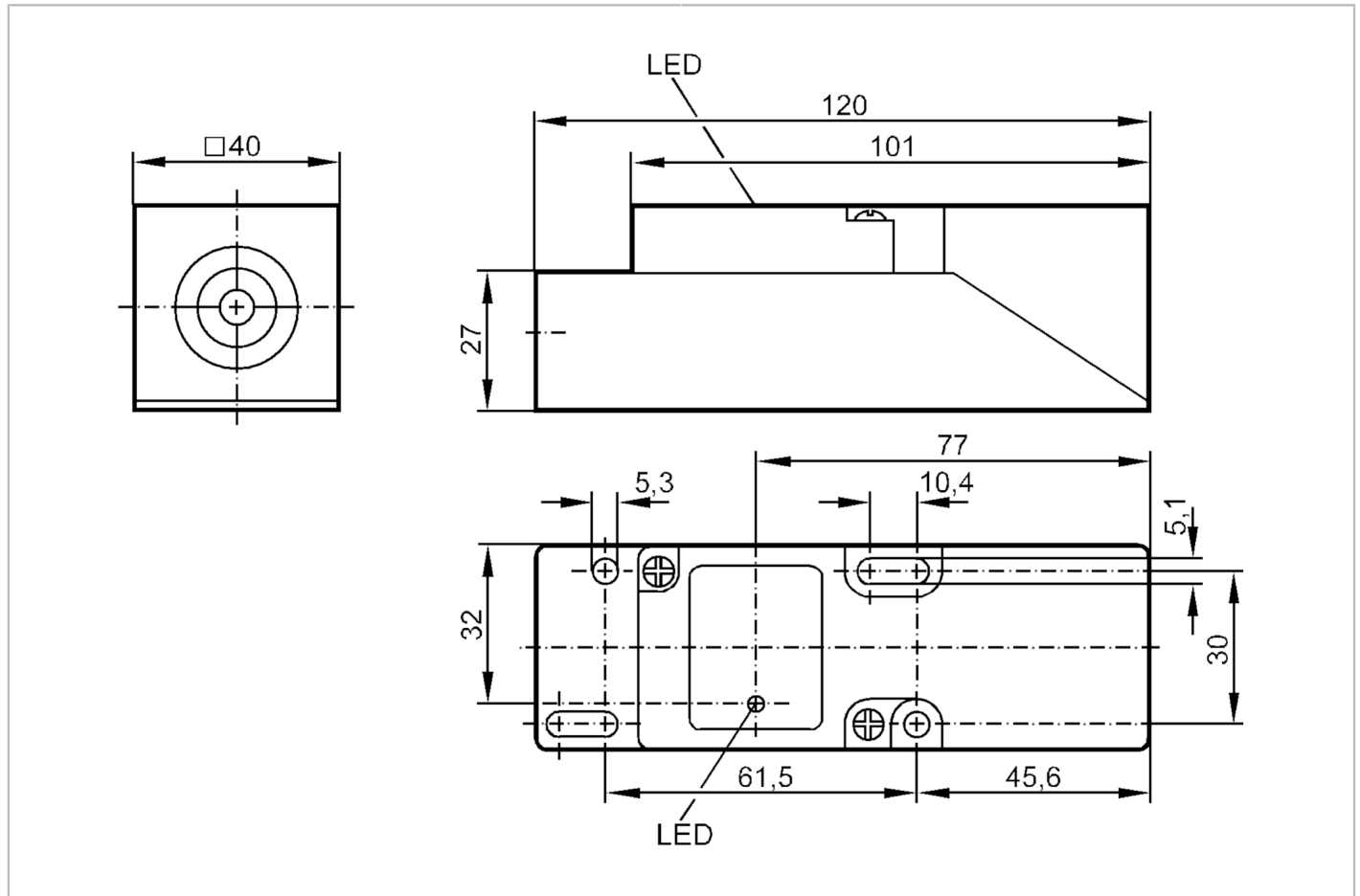


# IM5054



## Inductive sensor

IME3015BFPKG/0.PG-VERSCH.O.V.



### Electrical data

Operating voltage	[V]	10...36 DC
Current consumption	[mA]	15; (24 V)
Protection class		II
Reverse polarity protection		yes

### Outputs

Electrical design		PNP
Output function		normally open / normally closed; (selectable)
Max. voltage drop switching output DC	[V]	2.5
Permanent current rating of switching output DC	[mA]	250
Switching frequency DC	[Hz]	350
Short-circuit protection		yes
Type of short-circuit protection		pulsed
Overload protection		yes

# IM5054



## Inductive sensor

IME3015BFPKG/0.PG-VERSCH.O.V.

Detection zone		
Sensing range	[mm]	15
Real sensing range Sr	[mm]	15 ± 10 %
Operating distance	[mm]	0...12.1
Accuracy / deviations		
Correction factor		steel: 1 / stainless steel: 0.7 / brass: 0.4 / aluminium: 0.3 / copper: 0.2
Hysteresis	[% of Sr]	1...15
Switch point drift	[% of Sr]	-10...10
Operating conditions		
Ambient temperature	[°C]	-25...80
Protection		IP 65
Tests / approvals		
EMC	EN 60947-5-2	
	EN 55011	class B
MTTF	[years]	2234
Mechanical data		
Weight	[g]	162.5
Housing		rectangular
Mounting		flush mountable
Materials		PPE
Displays / operating elements		
Display	switching status	1 x LED, yellow
Remarks		
Remarks	5 positions of the active zone possible Cable gland (E11270) to be ordered separately	
Pack quantity	1 pcs.	
Electrical connection		
terminals: ...2.5 mm <sup>2</sup> ; Cable sheath: Ø 7...13 mm; Cable gland: M20 X 1.5		
Connection		

