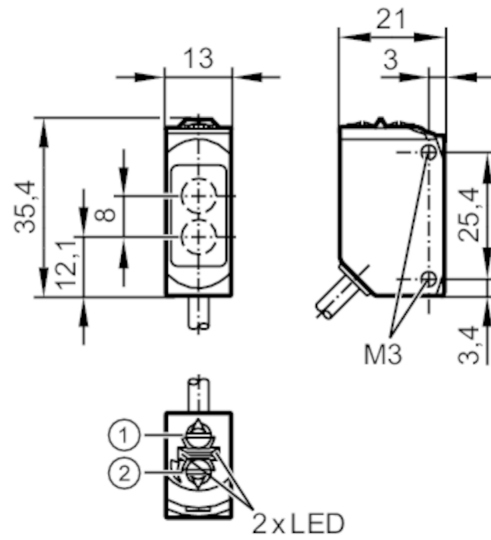


O6T217



Diffuse reflection sensor

O6TIFNKG



- 1 output function switch
- 2 potentiometer sensitivity
- receiver in upper lens
- transmitter in lower lens



Application

Function principle Diffuse reflection sensor

Electrical data

| | |
|-----------------------------|----------------|
| Operating voltage [V] | 10...30 DC |
| Current consumption [mA] | 16; ((24 V)) |
| Protection class | III |
| Reverse polarity protection | yes |
| Type of light | infrared light |
| Wave length [nm] | 850 |

Outputs

| | |
|--|-------------------------------------|
| Electrical design | NPN |
| Output function | light-on/dark-on mode; (selectable) |
| Max. voltage drop switching output DC [V] | 2.5 |
| Permanent current rating of switching output DC [mA] | 100 |
| Switching frequency DC [Hz] | 1000 |
| Short-circuit protection | yes |
| Type of short-circuit protection | pulsed |

O6T217



Diffuse reflection sensor

O6TIFNKG

| Detection zone | | |
|--------------------------------|------------------|---|
| Range | [mm] | 5...600; (white paper 200 x 200 mm 90 % remission) |
| Range adjustable | | yes |
| Max. light spot diameter | [mm] | 24 |
| Light spot dimensions refer to | | at maximum range |
| Monitoring range final value | [mm] | 100...600 |
| Operating conditions | | |
| Ambient temperature | [°C] | -25...60 |
| Protection | | IP 65; IP 67 |
| Tests / approvals | | |
| EMC | | EN 60947-5-2 |
| Mechanical data | | |
| Weight | [g] | 57.8 |
| Housing | | rectangular |
| Dimensions | [mm] | 35.4 x 13 x 21 |
| Materials | | housing: ABS; PPSU; connector thread: metal coated; Sealing: EPDM |
| Lens material | | PMMA |
| Lens alignment | | side lens |
| Tightening torque | [Nm] | 0.5 |
| Displays / operating elements | | |
| Display | switching status | 1 x LED, yellow |
| | operation | 1 x LED, green |
| Remarks | | |
| Pack quantity | | 1 pcs. |

O6T217



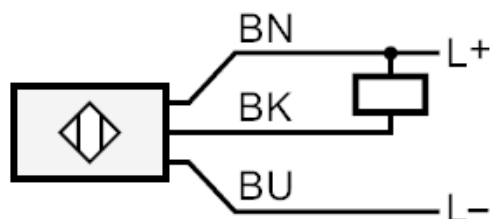
Diffuse reflection sensor

O6TIFNKG

Electrical connection

Cable: 2 m, PUR; 3 x 0.25 mm²

Connection



Core colours :

BK = black
BN = brown
BU = blue

Diagrams and graphs

excess gain graph

