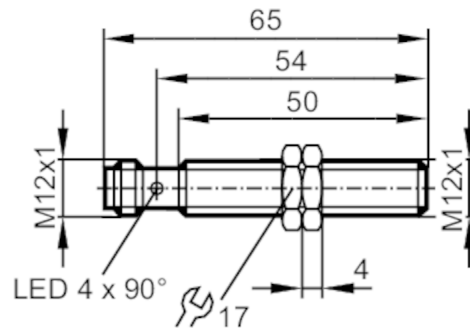


IFW204



Inductive sensor

IFK3004UBPKG/K1/SC/US-104



Application		
Magnetic-field immune		yes
Max. magnetic field immunity [mT]		300
Electrical data		
Operating voltage [V]		10...30 DC
Current consumption [mA]		< 20
Protection class		II
Reverse polarity protection		yes
Outputs		
Electrical design		PNP
Output function		normally open
Max. voltage drop switching output DC [V]		2.5
Permanent current rating of switching output DC [mA]		100
Switching frequency DC [Hz]		2000
Short-circuit protection		yes
Overload protection		yes
Detection zone		
Sensing range [mm]		4
Real sensing range Sr [mm]		4 ± 10 %
Operating distance [mm]		0...3.24
Increased sensing range		yes
Accuracy / deviations		
Correction factor		steel: 1 / stainless steel: 1 / brass: 1 / aluminium: 1 / copper: 1
Hysteresis [% of Sr]		3...15
Switch point drift [% of Sr]		-10...10
Correction factor K = 1		yes
Operating conditions		
Ambient temperature [°C]		-40...85
Protection		IP 65; IP 66; IP 67; IP 68; IP 69K

IFW204



Inductive sensor

IFK3004UBPKG/K1/SC/US-104

Tests / approvals		
EMC	EN 61000-4-2 ESD	4 kV CD / 8 kV AD
	EN 61000-4-3 HF radiated	10 V/m
	EN 61000-4-4 Burst	2 kV
	EN 61000-4-6 HF conducted	10 V
	EN 55011 emission	class B
MTTF	[years]	466
UL approval	Ta	-25...70 °C
	Enclosure type	Type 1
	voltage supply	Limited Voltage/Current
	UL Approval no.	A005
	File number UL	E174191

Mechanical data		
Weight	[g]	29.1
Housing		threaded type
Mounting		flush mountable
Dimensions	[mm]	M12 x 1 / L = 65
Thread designation		M12 x 1
Materials		brass anti-spatter; sensing face: LCP black; LED window: PEI; lock nuts: brass anti-spatter

Displays / operating elements		
Display	switching status	4 x LED, yellow

Accessories		
Accessories (supplied)		lock nuts: 2

Remarks		
Pack quantity		1 pcs.

Electrical connection - plug		
Connector: 1 x M12; Contacts: gold-plated		



IFW204



Inductive sensor

IFK3004UBPKG/K1/SC/US-104

Connection

