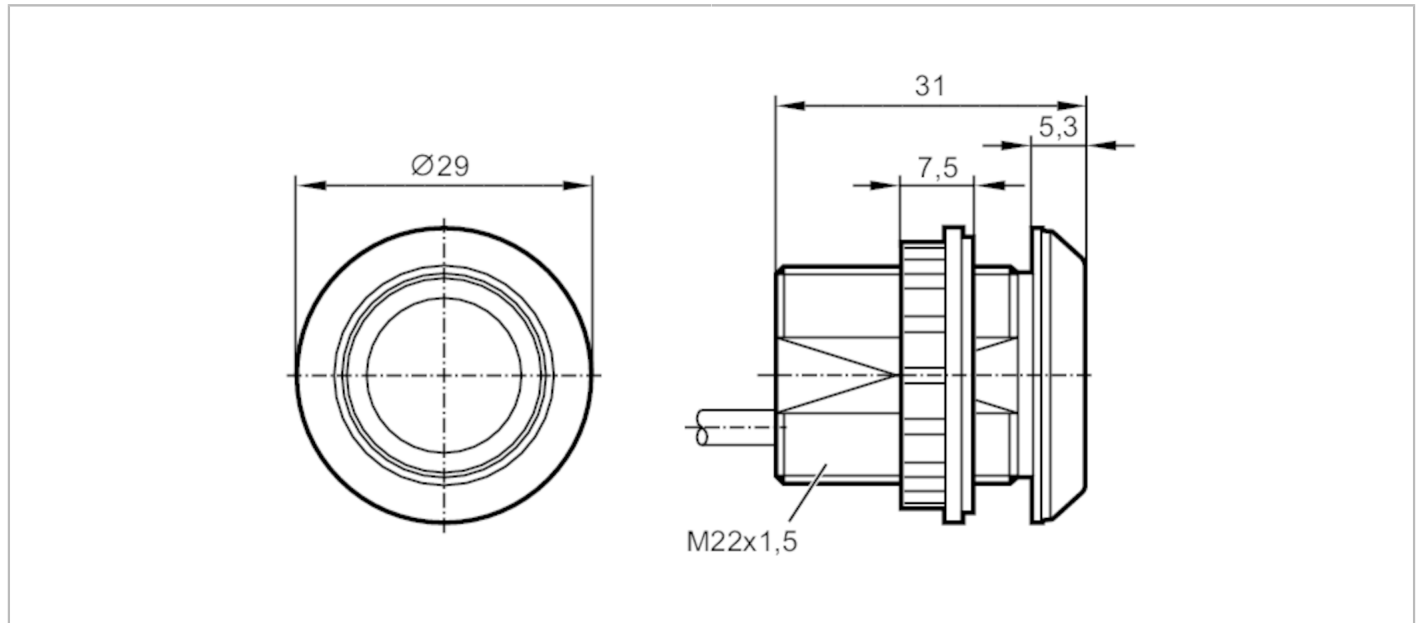


KT5102



Capacitive illuminated pushbutton

KTMDF-K-RBPKG/US/0,3M



Application	
Operating principle	dynamic
Electrical data	
Operating voltage [V]	12...30 DC
Current consumption [mA]	30
Protection class	III
Reverse polarity protection	yes
Max. power-on delay time [ms]	500
Outputs	
Electrical design	PNP
Output function	normally open
Permanent current rating of switching output DC [mA]	200
Short-circuit protection	yes
Overload protection	yes
Length of output signal [ms]	300
Response times	
Response time [ms]	35
Operating conditions	
Ambient temperature [°C]	-40...85
Protection	IP 65; IP 67; IP 69K; (on the front)
Tests / approvals	
MTTF [years]	352

KT5102



Capacitive illuminated pushbutton

KTMDF-K-RBPKG/US/0,3M

Mechanical data		
Weight	[g]	56.2
Dimensions	[mm]	Ø 29 / L = 31
Materials	PA 6.6-GF30 black; active face: PA Grilamid TR 90UV	
Displays / operating elements		
Display	switching status	1 x LED, red
	operation	1 x LED, green
Electrical connection		
Connection	plug	
Accessories		
Accessories (supplied)	lock nuts: 1	
	Gasket: 1	
Accessories (optional)	symbol disc	
Remarks		
Pack quantity	1 pcs.	

Electrical connection - plug

Cable: 0.3 m, PUR

Connector: 1 x M12



Connection

