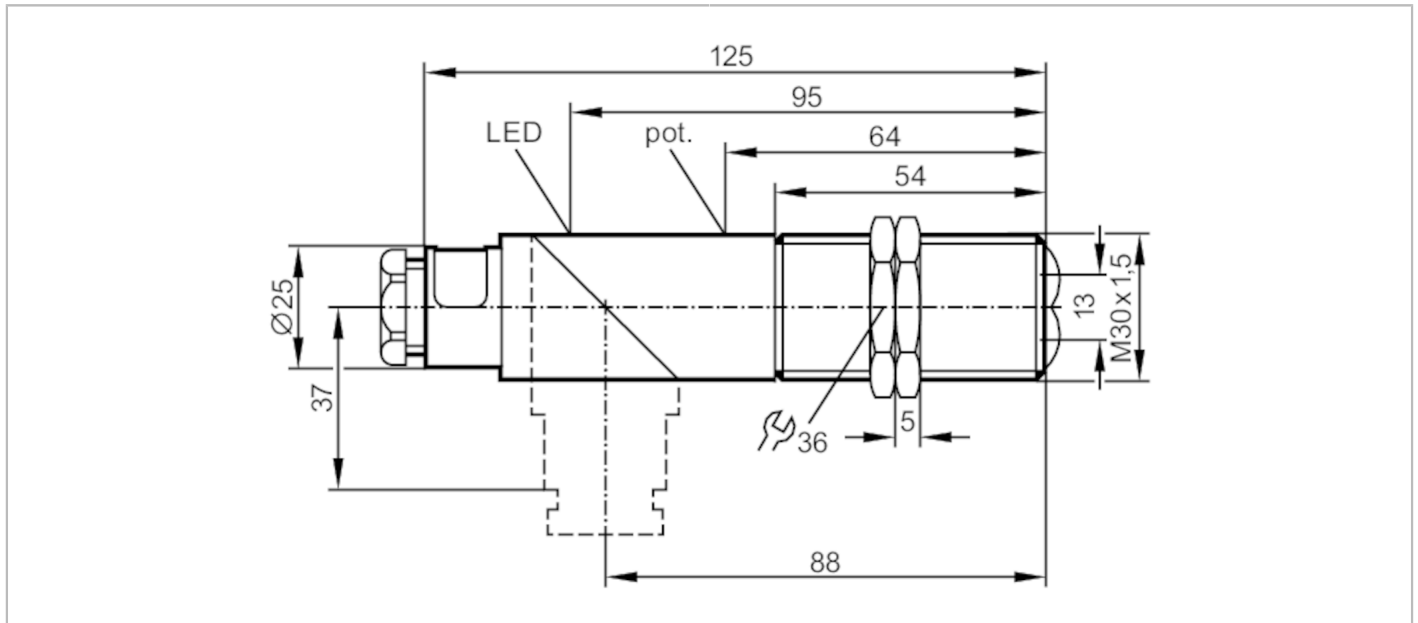


OI0001



Retro-reflective sensor

OIR-FBOA



Application	
Function principle	Retro-reflective sensor
Electrical data	
Operating voltage [V]	20...250 AC/DC
Protection class	II
Reverse polarity protection	no
Type of light	infrared light
Wave length [nm]	950
Outputs	
Output function	light-on/dark-on mode; (programmable)
Max. voltage drop switching output DC [V]	10.5
Max. voltage drop switching output AC [V]	10.5
Minimum load current [mA]	15
Max. leakage current [mA]	6
Permanent current rating of switching output AC [mA]	250; (350 (...50 °C))
Permanent current rating of switching output DC [mA]	250; (350 (...50 °C))
Short-time current rating of switching output [mA]	2200; (10 ms / 0,5 Hz)
Switching frequency AC [Hz]	25
Switching frequency DC [Hz]	35
Short-circuit proof	no
Overload protection	no



Retro-reflective sensor

OIR-FBOA

Detection zone		
Range referred to prismatic reflector [m]	0.1...4; (Prismatic reflector Ø 80 E20005)	
Range adjustable	yes	
Max. light spot diameter [mm]	280	
Light spot dimensions refer to	at maximum range	
Operating conditions		
Ambient temperature [°C]	-25...80	
Protection	IP 65	
Tests / approvals		
EMC	EN 60947-5-2	
	EN 55011	class B
MTTF [years]	309	
Mechanical data		
Weight [g]	113.2	
Housing	threaded type	
Dimensions [mm]	M30 x 1.5 / L = 125	
Thread designation	M30 x 1.5	
Materials	PBT; PPO modified	
Lens material	PMMA	
Displays / operating elements		
Display	switching status	1 x LED, yellow
Electrical connection		
Required protection	miniature fuse to IEC60127-2 sheet 1; ≤ 2 A; fast acting	
Accessories		
Accessories (supplied)	lock nuts: 2 x	
	screwdrivers	
Remarks		
Remarks	Recommendation: Check the safe functioning of the unit after a short circuit.	
Pack quantity	1 pcs.	

OI0001



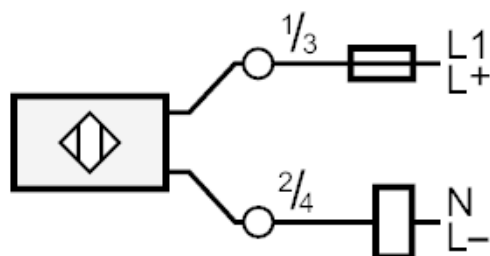
Retro-reflective sensor

OIR-FBOA

Electrical connection

terminals: ...1.5 mm²; Cable sheath: Ø 7...13 mm; Cable gland: M20 X 1.5

Connection



Note : miniature fuse to IEC60127-2 sheet 1 ≤ 2 A fast acting

Diagrams and graphs

excess gain graph

