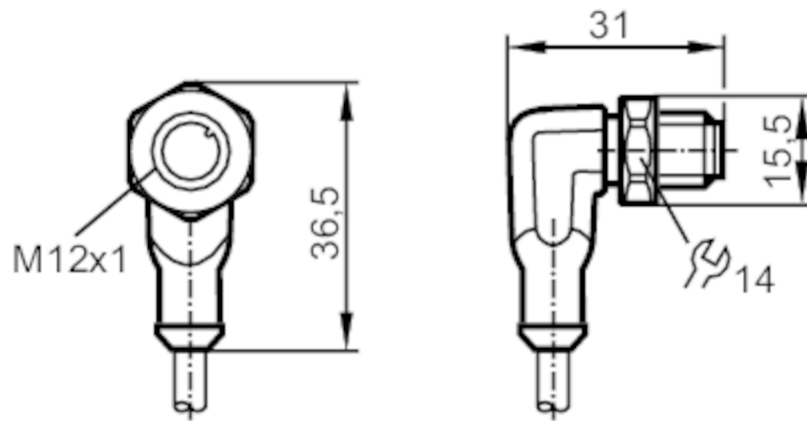


EVC08A



Connecting cable with plug

ASTAH040VAT0002H04/3G/2D



Application

Free from silicone yes

Electrical data

Operating voltage [V] < 60 AC/DC

Protection class II

Max. current load total [A] 2

Operating conditions

Ambient temperature [°C] -20...60

Protection IP 67; (outside hazardous areas: IP 68 / IP 69K)

Tests / approvals

Approval BVS 08 ATEX E 109 U; IECEx BVS 08.0041 U

ATEX marking II 3G Ex nA IIC Gc

II 2D Ex tb IIIC Db IP65/IP67

Mechanical data

Weight [g] 100.2

Materials housing: TPU orange

Material nut stainless steel (1.4404 / 316L)

Remarks

Pack quantity 1 pcs.

EVC08A



Connecting cable with plug

ASTAH040VAT0002H04/3G/2D

Electrical connection

Cable: 2 m, PUR, Halogen-free, black, Ø 4.9 mm; 4 x 0.34 mm² (42 x Ø 0.1 mm)

Electrical connection - plug

Connector: 1 x M12, angled; Locking: stainless steel (1.4404 / 316L); Contacts: gold-plated; Tightening torque: 1.2...1.5 Nm



Connection

1	BN
2	WH
3	BU
4	BK

Core colours :

BK =	black
BN =	brown
BU =	blue
WH =	white