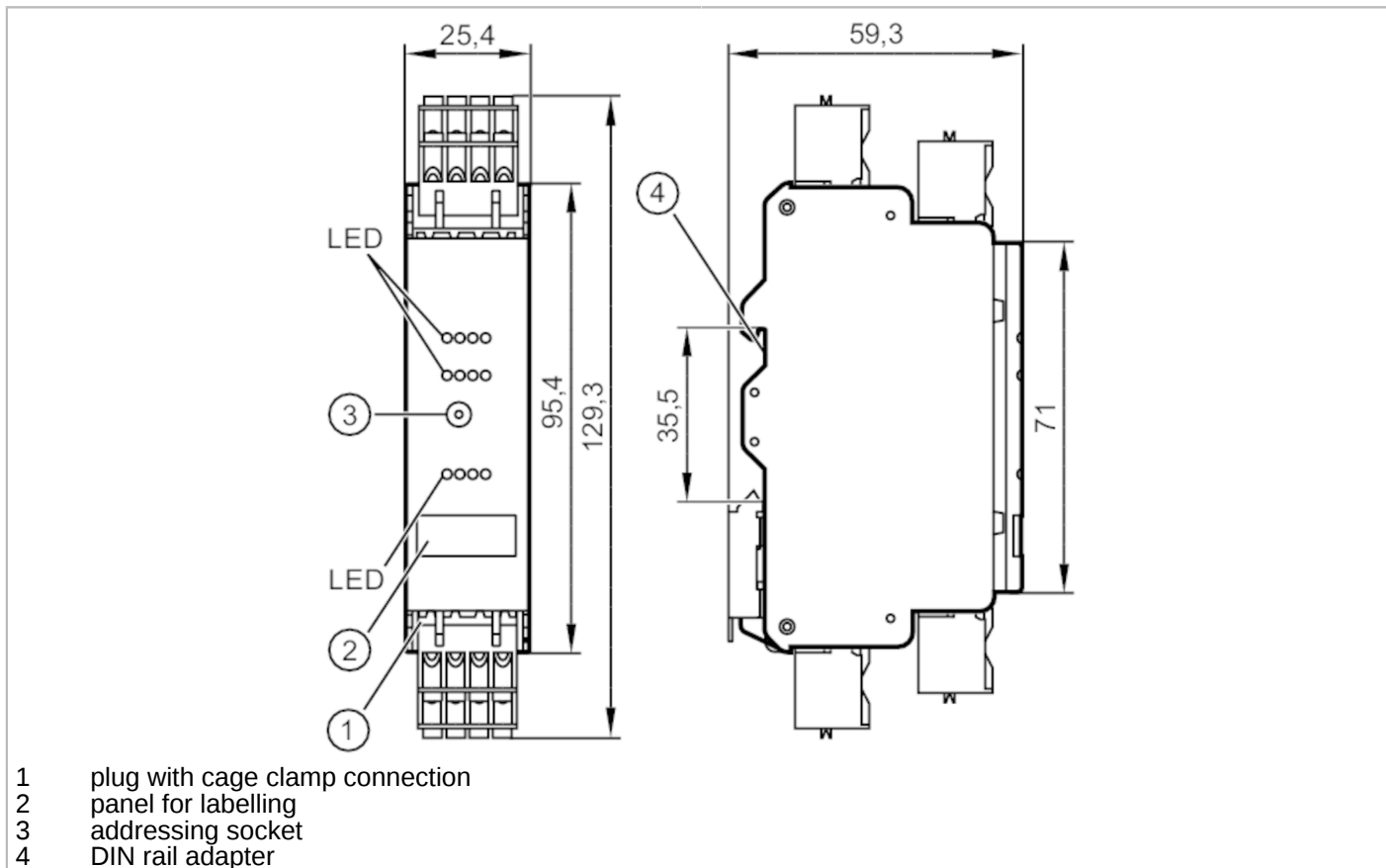


AC3200



AS-Interface control cabinet module

SmartL25 4DI 4DO T C



Application

Application only for operation with AS-i masters with the profile M4

Electrical data

Operating voltage	[V]	18...31.6 DC; (The device shall be supplied from an isolating source. This voltage source must have a secondary UL-listed fuse (see enclosed sheet).; Alternatively, a class 2 power supply can be used to supply AUX.)
Max. current consumption from AS-i	[mA]	250
Max. current load total	[A]	4; (> 50 °C: 2000 mA)
Additional voltage supply	[V]	20...30 DC; (AUX)
Integrated watchdog		yes

Inputs / outputs

Number of inputs and outputs Number of digital inputs: 4; Number of digital outputs: 4



AS-Interface control cabinet module

SmartL25 4DI 4DO T C

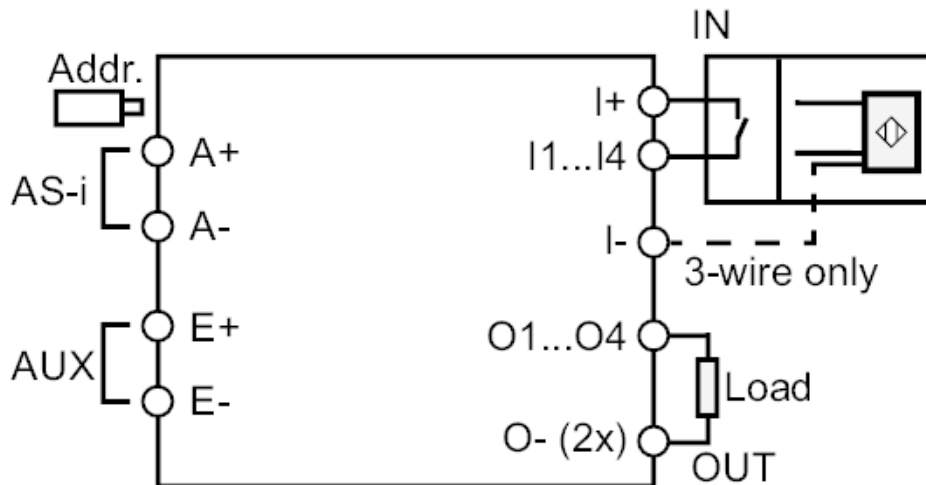
Inputs	
Number of digital inputs	4
Input circuit of digital inputs	PNP; (type 2 according to IEC 61131-2)
voltage supply [V]	16...30
Max. total current rating of inputs [mA]	200
Input current High [mA]	6...10
Input current Low [mA]	0...2
Min. switching level high signal [V]	11
Digital inputs protected against short circuits	yes
Sensor supply of the inputs	AS-i
Outputs	
Number of digital outputs	4
Beschaltung	PNP
Voltage range DC	20...30; (external (E+/E-), to SELV)
Max. current load per output [mA]	1000; (utilisation category DC-12: 700 mA; utilisation category DC-13 (control of electromagnets): 20 W (IEC 60947-5-1))
Short-circuit proof	yes
Electrically separated	yes
Operating conditions	
Ambient temperature [°C]	-25...65
Max. relative air humidity [%]	90; (non condensing)
Max. height above sea level [m]	2000
Protection	IP 20
Protection rating terminals	IP 20
Tests / approvals	
EMC	EN 62026-2
	EN 61000-6-2
	EN 61000-6-3
AS-i classification	
AS-i version	3.0
Extended addressing mode possible	yes
AS-i profile	S-7.A.7
AS-i I/O configuration [hex]	7
AS-i ID code [hex]	A.7
AS-i certificate	124401
Mechanical data	
Weight [g]	151
Type of mounting	mounting on DIN rail; string mounting possible
Materials	plastics; PC-GF20



AS-Interface control cabinet module

SmartL25 4DI 4DO T C

Displays / operating elements		
Display	switching status	LED, yellow I1...I4, O1...O4
	operation	LED, green AS-i, AUX
	errors	LED, red
Accessories		
Accessories (supplied)	COMBICON connectors	
Remarks		
Remarks	Do not connect any of the following points to an external potential: I-, I+, I1, I2, I3, I4	
	The connections are electrically connected with the AS-i cable.	
Pack quantity	1 pcs.	
Electrical connection		
pin headers: 4 x ; Spacing: 5.0 mm		
Connection		



A+	AS-i +
A-	AS-i -
I+	Sensor supply +24V
I-	Sensor supply 0V
E+	external voltage supply for actuators +24V (AUX)
E-	external voltage supply for actuators 0V (AUX)
I1...I4	switching input sensor 1...4
O1...O4	switching output actuator 1...4
O-	switching output actuator 0V