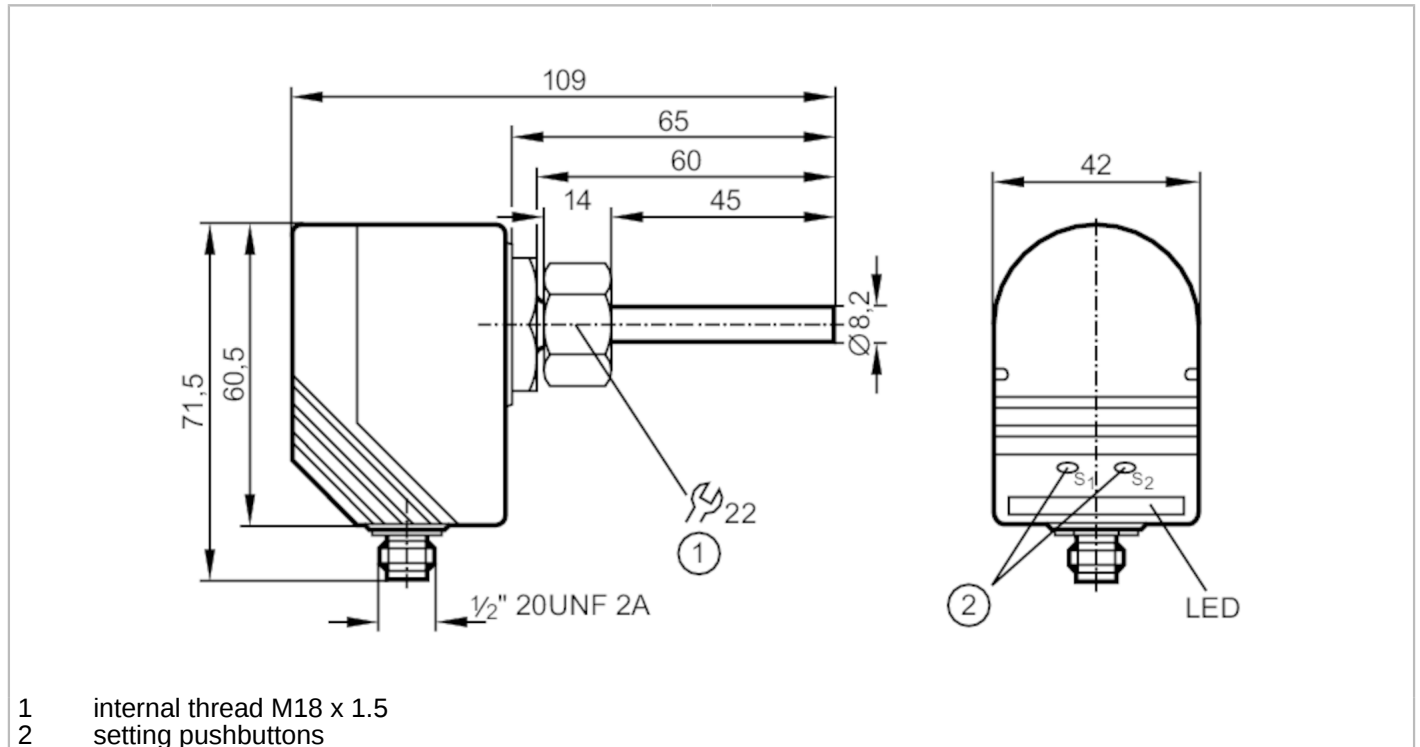


SI1106



Flow monitor

SID10ADTFKOW/LS-100-IRF



Application		
Media		Liquids; Gases; aggressive media
Medium temperature	[°C]	-25...80
Pressure rating	[bar]	300
Liquids		
Medium temperature	[°C]	-25...80
Gases		
Medium temperature	[°C]	-25...80
Electrical data		
Operating voltage tolerance	[%]	-5...10
Operating voltage	[V]	85...265 AC
Nominal voltage AC	[V]	< 240
Protection class		II
Reverse polarity protection		no
Power-on delay time	[s]	15; (optically indicated)
Inputs / outputs		
Number of inputs and outputs		Number of digital outputs: 1

SI1106



Flow monitor

SID10ADTFKOW/LS-100-IRF

Outputs		
Total number of outputs		1
Output signal		switching signal
Electrical design		relay
Number of digital outputs		1
Output function		normally open / normally closed; (parameterisable)
Contact rating		3 A (250 V AC / 30 V DC); (number of switching cycles: 20 million mechanically; switching cycles at 3 A load: 100,000 electrical; type of switch-off: normally open)
Short-circuit proof		no
Overload protection		no
Measuring/setting range		
Probe length L	[mm]	45
Liquids		
Setting range	[cm/s]	3...300
Greatest sensitivity	[cm/s]	3...60
Gases		
Setting range	[cm/s]	200...3000
Greatest sensitivity	[cm/s]	200...800
Accuracy / deviations		
Temperature gradient	[K/min]	300
Response times		
Response time	[s]	1...10
Liquids		
Response time	[s]	1...10
Gases		
Response time	[s]	1...10
Software / programming		
Adjustment of the switch point		pushbutton
Operating conditions		
Ambient temperature	[°C]	-25...80
Protection		IP 67
Tests / approvals		
Shock resistance	DIN IEC 68-2-27	50 g (11 ms)
Vibration resistance	DIN EN 60068-2-6	20 g (55...2000 Hz)
MTTF	[years]	224
Mechanical data		
Weight	[g]	254.4
Dimensions	[mm]	M18 x 1.5
Thread designation		M18 x 1.5
Materials		PBT-GF20
Materials (wetted parts)		titanium (3.7035); O-ring: FFKM 8 x 1,5
Process connection		M18 x 1,5 internal thread

SI1106



Flow monitor

SID10ADTFKOW/LS-100-IRF

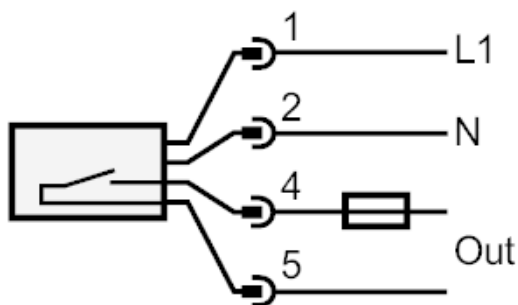
Displays / operating elements		
Display	function	10 x LED, three-colour
Electrical connection		
Required protection	miniature fuse to IEC60127-2 sheet 1; ≤ 5 A; fast acting	
Remarks		
Remarks	Recommendation Check the safe functioning of the unit after a short circuit.	
Pack quantity	1 pcs.	

Electrical connection

Connector: 1 x 1/2"



Connection



Note miniature fuse to IEC60127-2 sheet 1 ≤ 5 A fast acting