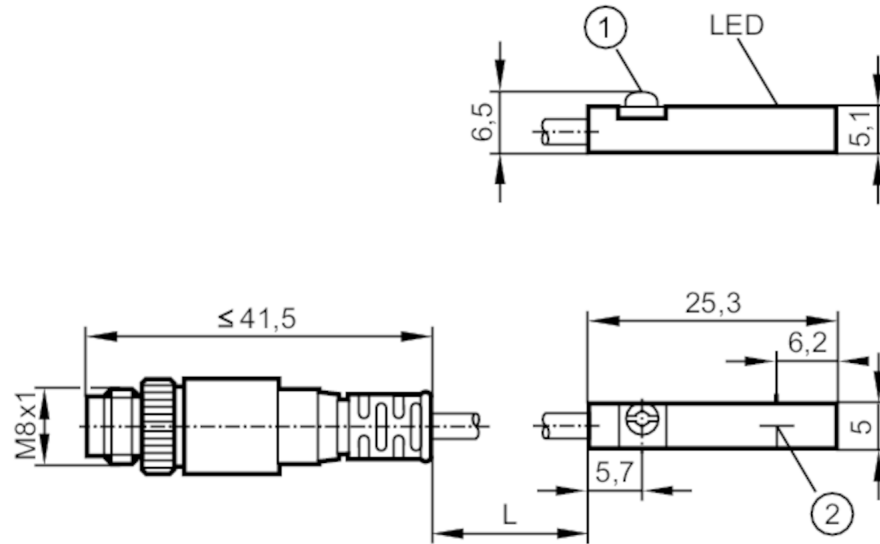


MK5122



T-slot cylinder sensor

MKT3028BBPKG/G/1,0M/ZH/ASR



- 1 fastening clamp
2 Sensing face



Electrical data

Operating voltage	[V]	10...30 DC; ("supply class 2" to cULus)
Current consumption	[mA]	< 10
Protection class		III
Reverse polarity protection		yes
Max. power-on delay time	[ms]	30

Outputs

Electrical design		PNP
Output function		normally open
Max. voltage drop switching output DC	[V]	2.5
Permanent current rating of switching output DC	[mA]	100
Switching frequency DC	[Hz]	10000
Short-circuit protection		yes
Overload protection		yes

Detection zone

Response sensitivity	[mT]	2.8
Travel speed	[m/s]	> 10

Accuracy / deviations

Hysteresis	[mm]	< 1.5
Repeatability	[mm]	< 0.2

Operating conditions

Ambient temperature	[°C]	-25...85
Protection		IP 65; IP 67

MK5122



T-slot cylinder sensor

MKT3028BBPKG/G/1,0M/ZH/ASR

Tests / approvals		
EMC	EN 61000-4-2 ESD	- CD / 8 kV AD
	EN 61000-4-3 HF radiated	10 V/m
	EN 61000-4-4 Burst	2 kV
	EN 61000-4-6 HF conducted	10 V
	EN 55011	class B
MTTF	[years]	3694
UL approval	UL Approval no.	C003

Mechanical data		
Weight	[g]	22.4
Mounting		flush mountable
Type of mounting		fastening clamp with combined slot / hexagon socket, width across flats 1.5
Cylinder type		T-slot cylinders
Dimensions	[mm]	25 x 5 x 6.5
Materials		housing: PA; fastening clamp: stainless steel

Displays / operating elements		
Display	switching status	1 x LED, yellow

Electrical connection		
Connection		plug

Accessories		
Accessories (supplied)		rubber placeholder: 1 Cable clip: 1

Remarks		
Pack quantity		1 pcs.

Electrical connection - plug

Cable: 1 m, PUR

Connector: 1 x M8; Locking: knurled nut, rotatable



MK5122

T-slot cylinder sensor

MKT3028BBPKG/G/1,0M/ZH/ASR



Connection

