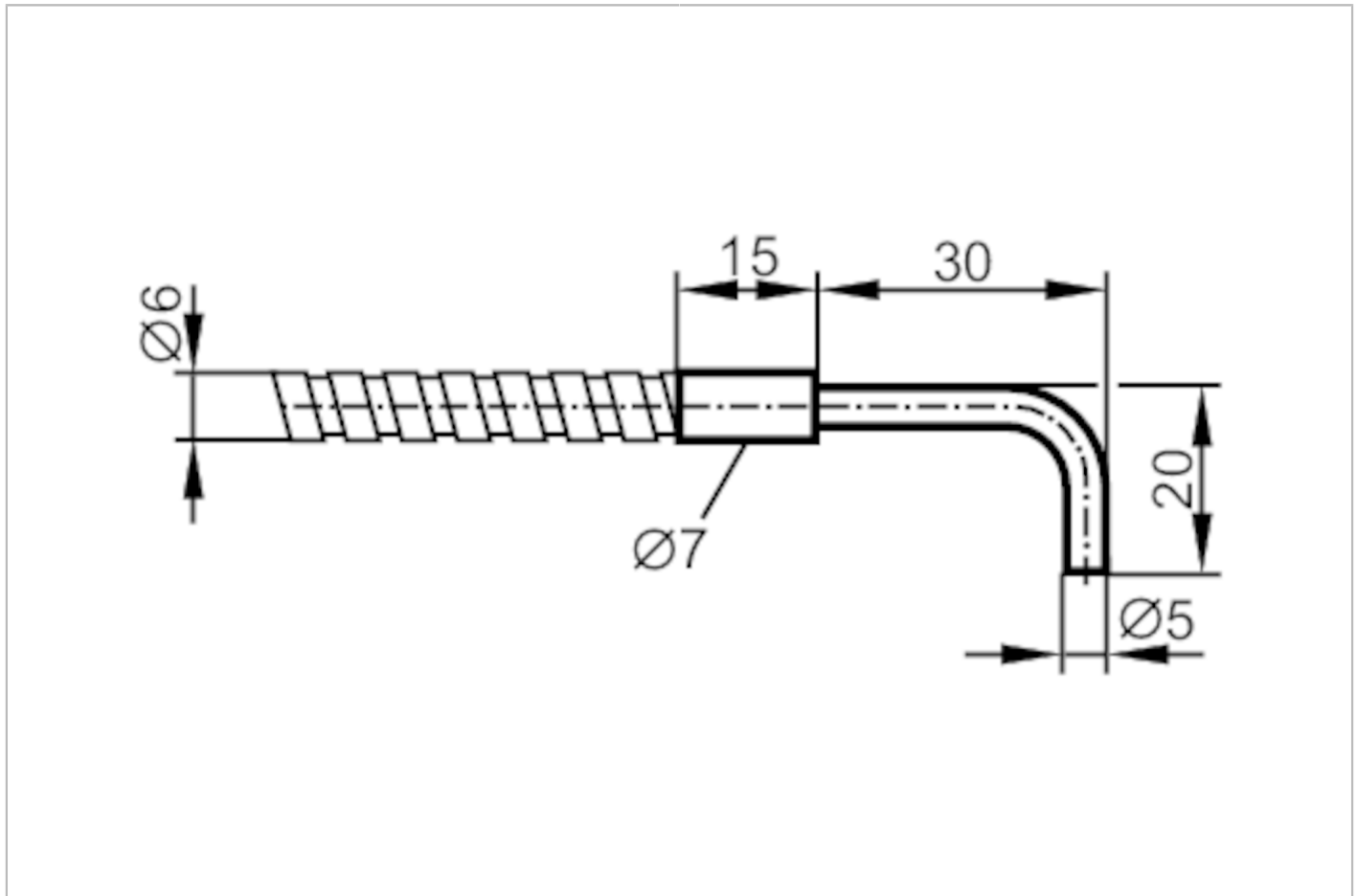


# E20828



## Fibre optic through beam sensor

FE-50-V-V-R5



Application	
Function principle	Through-beam sensor
Detection zone	
Range with fibre optic amplifier type	OBF; ODF; OMF
OBF	
Range of fibre optics [mm]	1000
ODF	
Range of fibre optics [mm]	4
OMF	
Range of fibre optics [mm]	800
Operating conditions	
Ambient temperature [°C]	-58...315

# E20828



## Fibre optic through beam sensor

FE-50-V-V-R5

Mechanical data	
Weight [g]	177.8
Version of sensing head	angled
Sensing head diameter [mm]	5
Total length [mm]	900
Min. bending radius [mm]	19
Fibre arrangement	●
Fibre material	glass
Fibre head material	stainless steel (1.4305 / 303)
Fibre sheath material	stainless steel (1.4305 / 303)
Remarks	
Pack quantity	1 pcs.