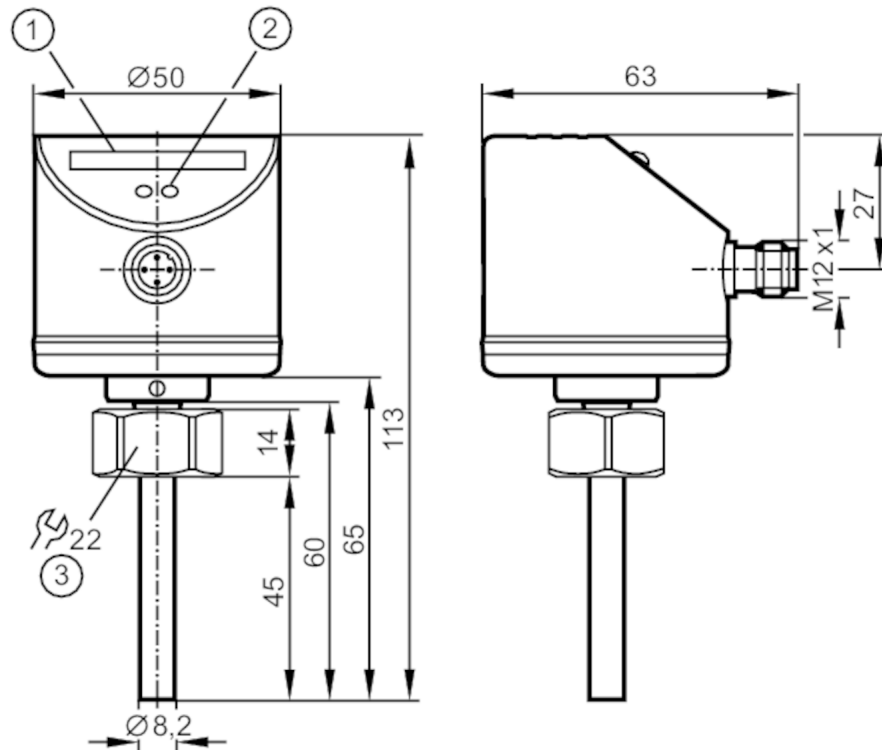


# SI0558



## Flow monitor

SID10XDBAKOA/US-100



- 1 LED bar display
- 2 setting pushbutton
- 3 Tightening torque 25 Nm



### Application

|                    |       |                |
|--------------------|-------|----------------|
| Media              |       | Liquids; Gases |
| Medium temperature | [°C]  | -25...70       |
| Pressure rating    | [bar] | 300            |

### Liquids

|                    |      |          |
|--------------------|------|----------|
| Medium temperature | [°C] | -25...70 |
|--------------------|------|----------|

### Gases

|                    |      |          |
|--------------------|------|----------|
| Medium temperature | [°C] | -25...70 |
|--------------------|------|----------|

### Electrical data

|                             |      |                                      |
|-----------------------------|------|--------------------------------------|
| Operating voltage tolerance | [%]  | -15...15                             |
| Operating voltage           | [V]  | < 24 AC / 18...36 DC; (to SELV/PELV) |
| Current consumption         | [mA] | < 80                                 |
| Protection class            |      | III                                  |
| Power-on delay time         | [s]  | 10                                   |

### Inputs / outputs

|                              |  |                              |
|------------------------------|--|------------------------------|
| Number of inputs and outputs |  | Number of digital outputs: 1 |
|------------------------------|--|------------------------------|

# SI0558



## Flow monitor

SID10XDBAKOA/US-100

| Outputs                        |                   |  |
|--------------------------------|-------------------|--|
| Total number of outputs        |                   | 1  |
| Output signal                  |                   | switching signal   |
| Number of digital outputs      |                   | 1  |
| Output function                |                   | normally open  |
| Contact rating                 |                   | 2 A, 36 V AC/DC; (according to EN 50178 SELV/PELV)           |
| Short-circuit protection       |                   | no   |
| Overload protection            |                   | no   |
| Measuring/setting range        |                   |  |
| Probe length L                 | [mm]              | 45   |
| Liquids                        |                   |  |
| Setting range                  | [cm/s]            | 3...300  |
| Greatest sensitivity           | [cm/s]            | 3...100  |
| Set point SP                   | [cm/s]            | 20   |
| Gases                          |                   |  |
| Setting range                  | [cm/s]            | 200...3000   |
| Greatest sensitivity           | [cm/s]            | 200...800  |
| Accuracy / deviations          |                   |  |
| Repeatability                  | [cm/s]            | 1...5  |
| Temperature drift              | [cm/s x 1/K]      | 0.1; (for water 5...100 cm/s; 10...70 °C)                    |
| Temperature gradient           | [K/min]           | 300  |
| Switch point accuracy          | [cm/s]            | ± 2...± 10; (for water 5...100 cm/s; 25 °C; Factory setting) |
| Hysteresis                     | [cm/s]            | 2...5; (for water 5...100 cm/s; 25 °C; Factory setting)      |
| Response times                 |                   |  |
| Liquids                        |                   |  |
| Response time                  | [s]               | 1...2; (for a temperature gradient: 1 K/min)                 |
| Gases                          |                   |  |
| Response time                  | [s]               | 1...10   |
| Software / programming         |                   |  |
| Adjustment of the switch point |                   | pushbutton   |
| Operating conditions           |                   |  |
| Ambient temperature            | [°C]              | -25...60   |
| Storage temperature            | [°C]              | -25...100  |
| Protection                     |                   | IP 65; IP 67   |
| Tests / approvals              |                   |  |
| EMC                            | DIN EN 60947-5-9  |  |
| Shock resistance               | DIN EN 60068-2-27 | 20 g (11 ms)   |
| Vibration resistance           | DIN EN 60068-2-6  | 5 g (55...2000 Hz)   |
| MTTF                           | [years]           | 351  |

# SI0558



## Flow monitor

SID10XDBAKOA/US-100

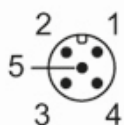
| Mechanical data          |      |   |
|--------------------------|------|---|
| Weight                   | [g]  | 229.5   |
| Dimensions               | [mm] | M18 x 1.5   |
| Thread designation       |      | M18 x 1.5   |
| Materials                |      | stainless steel (1.4404 / 316L); stainless steel (1.4310 / 301); PC; PBT-GF20; EPDM/X |
| Materials (wetted parts) |      | stainless steel (1.4404 / 316L); O-ring: FKM 80 Shore A                               |
| Process connection       |      | M18 x 1,5 internal thread   |

| Displays / operating elements |          |                        |
|-------------------------------|----------|------------------------|
| Display                       | function | 10 x LED, three-colour |

| Remarks       |        |
|---------------|--------|
| Pack quantity | 1 pcs. |

### Electrical connection

Connector: 1 x M12



### Connection

