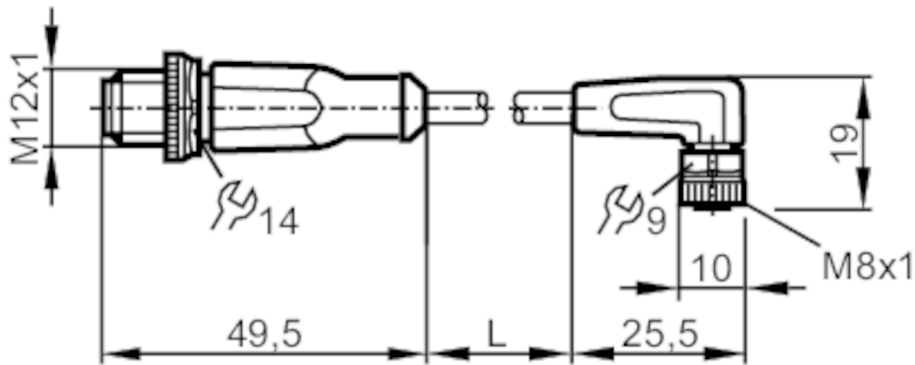


EVW081



Connection cable

VDOAF030SCS00,3T03STGH030SCS



Application

Application	welding applications
Free from silicone	yes

Electrical data

Operating voltage [V]	< 50 AC / < 60 DC
Protection class	III
Max. current load total [A]	3

Operating conditions

Ambient temperature [°C]	-25...90
Note on ambient temperature	cULus: ...75 °C
Ambient temperature (moving) [°C]	-25...90
Note on ambient temperature (moving)	cULus: ...75 °C
Protection	IP 65; IP 67; IP 68; IP 69K

Mechanical data

Weight [g]	31.6	
Materials	housing: TPU orange; Sealing: FKM	
Material nut	brass / brass	
Drag chain suitability	bending radius for flexible use	min. 10 x cable diameter
	travel speed	max. 3.3 m/s for a horizontal travel length of 5 m and max. acceleration of 5 m/s ²
	bending cycles	> 2 Mio.
	torsional strain	± 180 °/m
Drag chain suitability	yes	

EVW081



Connection cable

VDOAF030SCS00,3T03STGH030SCS

Remarks

Remarks	without label holders
Pack quantity	1 pcs.

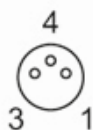
Electrical connection

Cable: 0.3 m, PUR, Halogen-free, grey, Ø 4.5 mm; not irradiated (can be recycled); 3 x 0.25 mm² (32 x Ø 0.1 mm)

Cable: 0.3 m, PUR, Halogen-free, grey, Ø 4.5 mm; resistant to welding sparks; 3 x 0.25 mm² (32 x Ø 0.1 mm)

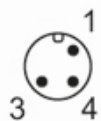
Electrical connection - socket

Connector: 1 x M8, angled; Locking: brass, anti-spatter; Contacts: gold-plated; Tightening torque: 0.3...0.5 Nm



Electrical connection - plug

Connector: 1 x M12, straight; Locking: brass, anti-spatter; Contacts: gold-plated; Tightening torque: 0.6...1.5 Nm



Connection

