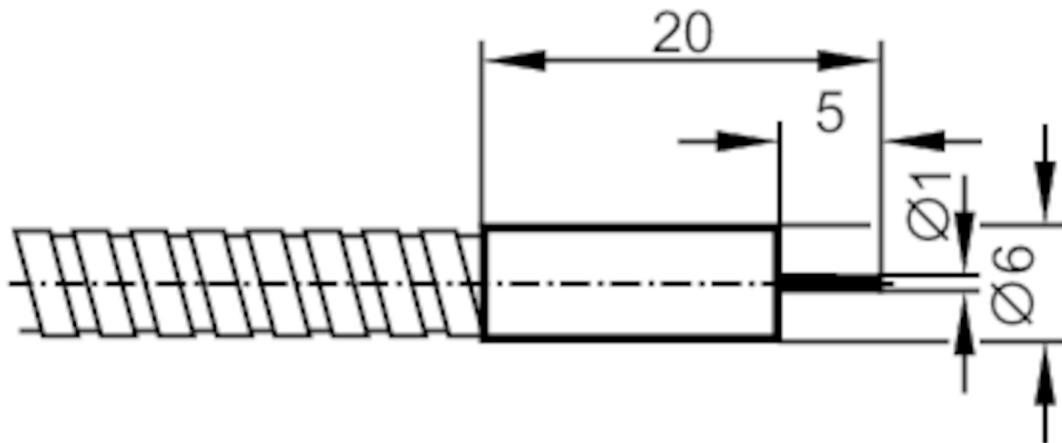




## Fibre optic through beam sensor

FE-00-A-V-E1



### Application

Function principle Through-beam sensor

### Detection zone

Range with fibre optic amplifier type OKF; OUF; OOF

#### OKF

Range of fibre optics [mm] 50

#### OOF

Range of fibre optics [mm] 160

#### OUF

Range of fibre optics [mm] 50

### Operating conditions

Ambient temperature [°C] -40...290

# E20127



## Fibre optic through beam sensor

FE-00-A-V-E1

Mechanical data	
Weight [g]	68
Version of sensing head	straight
Sensing head diameter [mm]	1
Sensing head length [mm]	5
Total length [mm]	600
Min. bending radius [mm]	20; (for fixed installation)
Fibre arrangement	
Materials	Adapter: ABS
Fibre material	glass
Fibre head material	stainless steel (1.4305 / 303)
Fibre sheath material	aluminium
Accessories	
Accessories (supplied)	E20103
Remarks	
Pack quantity	1 pcs.