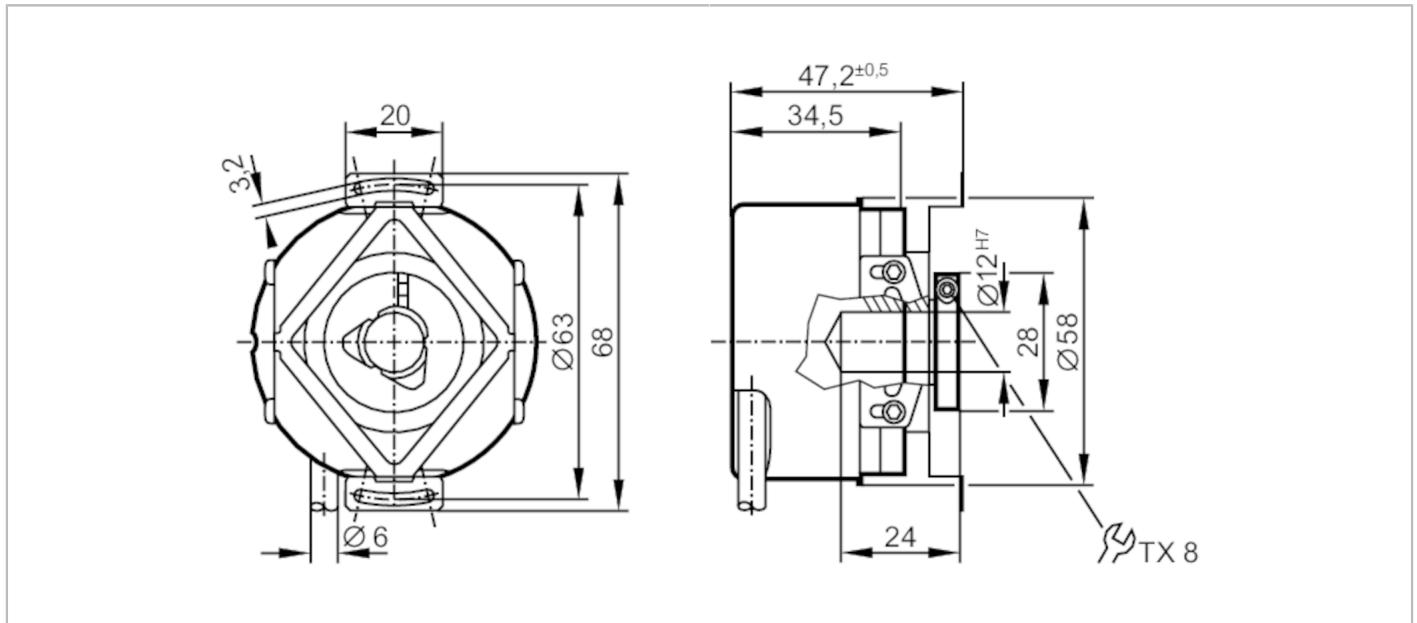


RO6342



Incremental encoder with hollow shaft

RO-0100-I24/N1U



Application	
Function principle	incremental
Electrical data	
Operating voltage [V]	10...30 DC
Current consumption [mA]	< 150
Outputs	
Electrical design	HTL
Max. current load per output [mA]	50
Switching frequency [kHz]	300
Type of short-circuit protection	< 60 s
Phase difference A und B [°]	90
Measuring/setting range	
Resolution	100 resolution
Operating conditions	
Ambient temperature [°C]	-40...100
Max. relative air humidity [%]	98
Protection	IP 64; (on the housing: IP 67; on the shaft: IP 64)
Tests / approvals	
Shock resistance	200 g
Vibration resistance	30 g
MTTF [years]	190

RO6342



Incremental encoder with hollow shaft

RO-0100-I24/N1U

Mechanical data		
Weight	[g]	437.6
Dimensions	[mm]	Ø 58 / L = 35.5
Materials		aluminium
Max. revolution, mechanical	[U/min]	12000
Max. starting torque	[Nm]	1
Reference temperature torque	[°C]	20
Shaft design		hollow shaft open to one side
Shaft diameter	[mm]	12
Shaft fit		H7
Shaft material		stainless steel
Installation depth of shaft	[mm]	10
Max. axial shaft misalignment	[mm]	1; (max. radial shaft alignment: ± 0,05 mm)

Remarks	
Notes	discontinued article

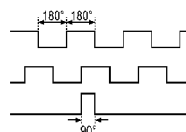
Electrical connection

Cable: 1 m, PUR; Maximum cable length: 300 m; radial, can also be used axially

brown	A
green	A inverted
grey	B
pink	B inverted
red	0 index
black	0 index inverted
blue	L+ sensor
white	0V sensor
brown/green	L+ (Up)
white/green	0V (Un)
screen	housing
lilac	failure inverted

Diagrams and graphs

Pulse diagram



Output A

Output B

0 index