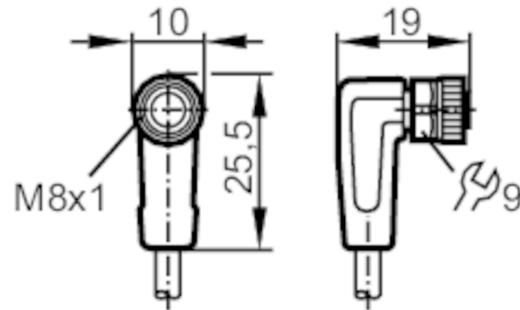


# EVW072



## Connecting cable with socket

ADOAF030SCS0010T03



### Application

Application	welding applications
Free from silicone	yes

### Electrical data

Operating voltage [V]	< 50 AC / < 60 DC
Protection class	III
Max. current load total [A]	3

### Operating conditions

Ambient temperature [°C]	-25...90
Note on ambient temperature	cULus: ...85
Ambient temperature (moving) [°C]	-25...90
Note on ambient temperature (moving)	cULus: ...85
Protection	IP 65; IP 67; IP 68; IP 69K

# EVW072



## Connecting cable with socket

ADOAF030SCS0010T03

Mechanical data		
Weight [g]	264	
Dimensions [mm]	19 x 10 x 25.5	
Materials	housing: TPU orange; Sealing: FKM	
Material nut	brass	
Drag chain suitability	bending radius for flexible use	min. 10 x cable diameter
	travel speed	max. 3.3 m/s for a horizontal travel length of 5 m and max. acceleration of 5 m/s <sup>2</sup>
	bending cycles	> 2 Mio.
	torsional strain	± 180 °/m
Drag chain suitability	yes	

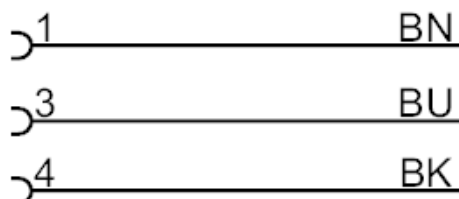
Remarks	
Pack quantity	1 pcs.

**Electrical connection**  
 Cable: 10 m, PUR, Halogen-free, grey, Ø 4.5 mm; not irradiated (can be recycled); 3 x 0.25 mm<sup>2</sup> (32 x Ø 0.1 mm )  
 Cable: 10 m, PUR, Halogen-free, grey, Ø 4.5 mm; resistant to welding sparks; 3 x 0.25 mm<sup>2</sup> (32 x Ø 0.1 mm )

**Electrical connection - socket**  
 Connector: 1 x M8, angled; Locking: brass, anti-spatter; Contacts: gold-plated; Tightening torque: 0.3...0.5 Nm



## Connection



Core colours :

- BK = black
- BN = brown
- BU = blue