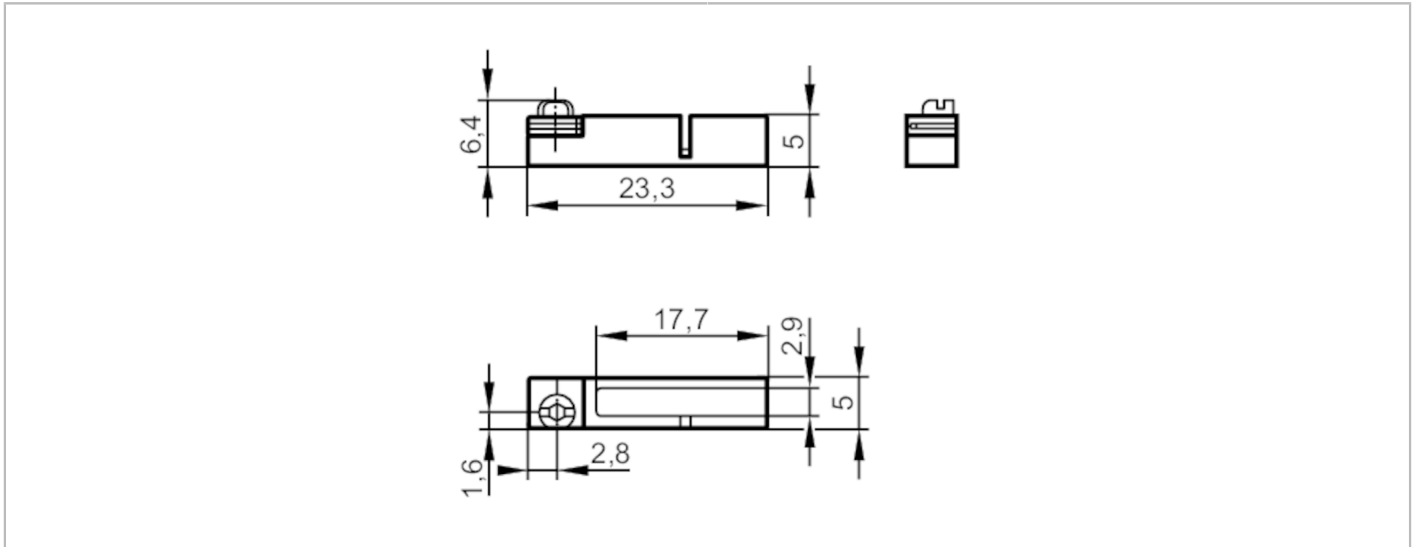


E11914



T-slot adapter for C-slot cylinder sensor

ADAPT C-SLOT IN T-SLOT SHORT



Application

Design for types MKC

Mechanical data

Weight [g] 6.7

Dimensions [mm] 6.4 x 23.3 x 5

Materials diecast zinc; Fixing element: stainless steel

Remarks

Pack quantity 1 pcs.