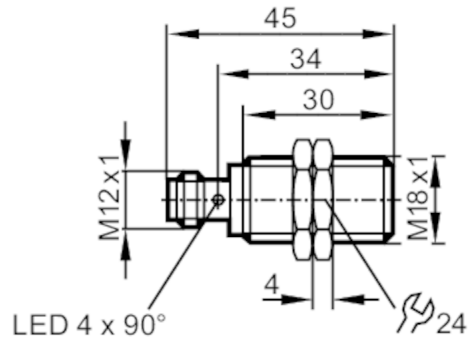


# IG5942



## Inductive sensor

IGB3005-BPKG/US-104



### Electrical data

Operating voltage	[V]	10...30 DC
Current consumption	[mA]	< 10
Protection class		II
Reverse polarity protection		yes

### Outputs

Electrical design		PNP
Output function		normally open
Max. voltage drop switching output DC	[V]	2.5
Permanent current rating of switching output DC	[mA]	200
Switching frequency DC	[Hz]	250
Short-circuit protection		yes
Overload protection		yes

### Detection zone

Sensing range	[mm]	5
Real sensing range Sr	[mm]	5 ± 10 %
Operating distance	[mm]	0...4.05

### Accuracy / deviations

Correction factor		steel: 1 / stainless steel: 0.7 / brass: 0.5 / aluminium: 0.4 / copper: 0.3
Hysteresis	[% of Sr]	3...15
Switch point drift	[% of Sr]	-10...10

### Operating conditions

Ambient temperature	[°C]	-25...70
Protection		IP 67

### Tests / approvals

EMC		EN 60947-5-2	
		EN 55011	class B
MTTF	[years]	1528	

# IG5942



## Inductive sensor

IGB3005-BPKG/US-104

Mechanical data	
Weight [g]	45.8
Housing	threaded type
Mounting	flush mountable
Dimensions [mm]	M18 x 1 / L = 45
Thread designation	M18 x 1
Materials	brass white bronze coated; sensing face: PBT orange; LED window: PEI; lock nuts: brass white bronze coated

Displays / operating elements		
Display	switching status	4 x LED, yellow

Accessories	
Accessories (supplied)	lock nuts: 2

Remarks	
Pack quantity	1 pcs.

### Electrical connection - plug

Connector: 1 x M12; Contacts: gold-plated



### Connection

